

Shaped for unique lighting applications, the Profile I is the first of its series of uniquely shaped enclosures. The foundation is a versatile internal component system designed to stay the same which increases speed to market with reduced tooling on future housing designs in the Profile series.

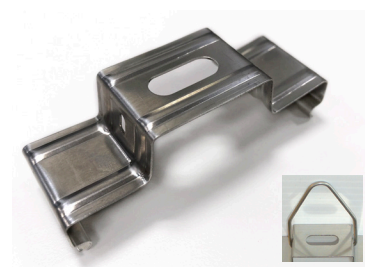
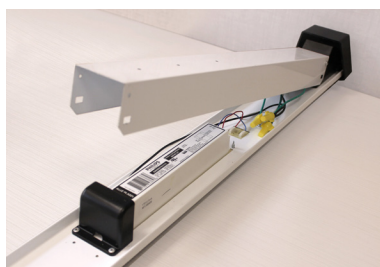
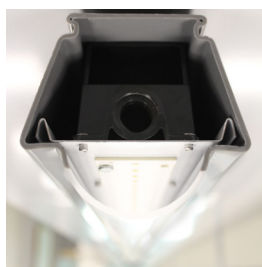
2'



4'



8'



Features & Benefits

- Designed for LEDs
- Familiar economical mounting options
- UL (f1) rated material co-extruded housing and lens
- 2 ft., 4 ft. and 8 ft. length options
- Flat internal board tray for use with linear Zhaga boards
- Electrical enclosure encapsulates all higher voltage components
- All components of encapsulating electrical enclosure are made of no less than 5VA approved material
- Passage for Class 2 wiring through the board tray from the LED driver to the LED board is protected via grommet
- UL evaluated for 25° C and 40° C

Applications

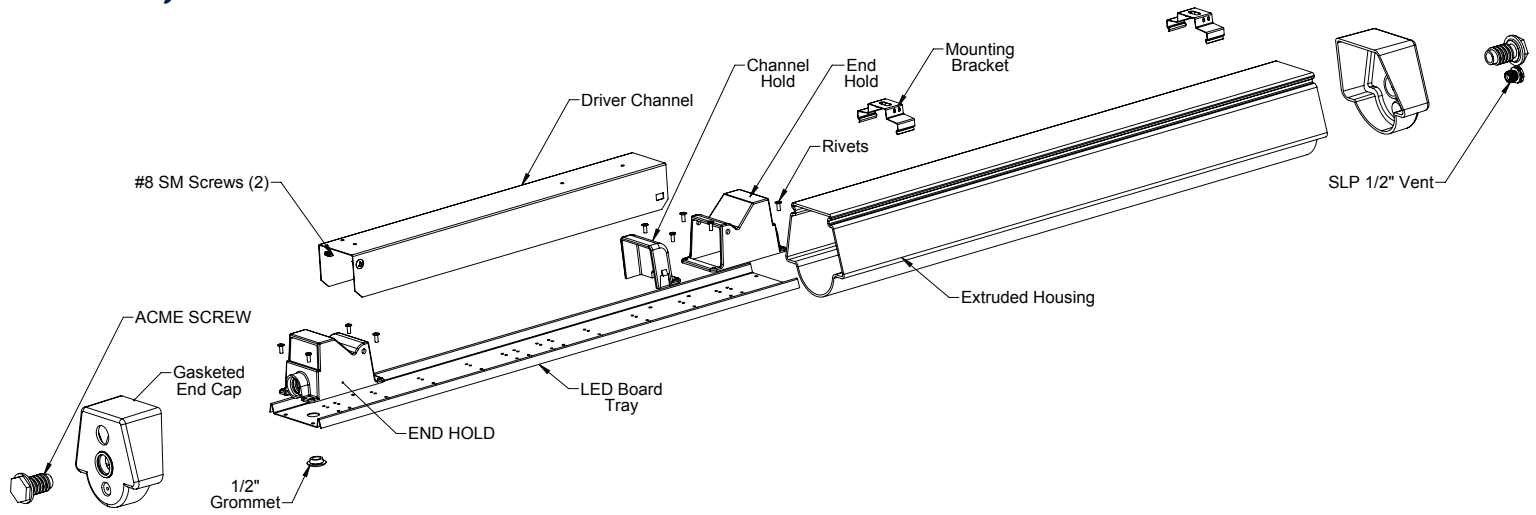
- Low bay areas requiring a linear LED enclosure
- General lighting
- Supermarkets
- Office lighting
- Garden centers
- Food processing
- Warehouses
- Subways
- Cold storage

Certifications

- UL wet location
- IP65, IP66
 - SLP vent plug required
- RoHS

Product offering and specifications subject to change without notice

Assembly



Components

| Component | Description | Standard Material | Pieces Required per Assembly | | | Available Options |
|-------------------|---|---------------------|------------------------------|----|----|--|
| | | | 2' | 4' | 8' | |
| Housing Extrusion | Co-extruded housing and lens | | 1 | 1 | 1 | Frosted or Black Polycarbonate |
| Board Tray | Supports LED boards | Cold rolled steel | 1 | 1 | 1 | Linear Zhaga for all lengths |
| Driver Channel | Contains driver | Cold rolled steel | 1 | 1 | 1 | 16" driver channel for 2' unit 20" driver channel for 4' and 8' unit Raceway for 2' or 4' through wiring |
| End Hold | Locks in driver channel to board tray | Black noryl | 2 | 2 | 2 | |
| Channel Hold | Holds driver channel in place | Black noryl | 1 | 1 | 1 | |
| End Caps | Enclose the unit | Noryl | 2 | 2 | 2 | Black or white |
| Acme Screw | Holds on the end cap | Noryl | 2 | 2 | 2 | Black or white |
| Mounting Bracket | Snap on mounting for easy installation and mounting | 316 stainless steel | 2 | 2 | 2 | Optional hanging bail accessory optional drilled for threaded rod pendant |
| Safety Bail | Snaps around the fixture to add extra security for high traffic areas | 316 stainless steel | 2 | 2 | 2 | Optional |
| SLP Rivets | Attachment for endholds and channel hold | | 10 | 10 | 10 | SLP-SCRW-850 |
| SLP #8 Screws | Driver channel attachment to endhold | | 2 | 2 | 2 | (Optional additional 2 per 2' section of LED board to attach board to tray) |
| Wire Grommet | Protects wires from stripping on board tray edge | | 1 | 1 | 1 | |
| SLP Vent Plug | End plug with a vent | | 1 | 1 | 1 | Required for IP65 and IP66 rating |

Product offering and specifications subject to change without notice

Housing Extrusions

| Length | Material | Part # | PCS / CTN | WT / CTN | Full Skid Quantity |
|--------|---|--------------------|-----------|----------|--------------------|
| 2' | Black polycarbonate housing extrusion | PRF-S1-HE-BLK-P-2 | 5 | | 100 |
| 4' | Black polycarbonate housing extrusion | PRF-S1-HE-BLK-P-4 | 5 | | 100 |
| 8' | Black polycarbonate housing extrusion | PRF-S1-HE-BLK-P-8 | 5 | | 80 |
| 2' | Frosted polycarbonate housing extrusion | PRF-S1-HE-FRST-P-2 | 5 | | 100 |
| 4' | Frosted polycarbonate housing extrusion | PRF-S1-HE-FRST-P-4 | 5 | | 100 |
| 8' | Frosted polycarbonate housing extrusion | PRF-S1-HE-FRST-P-8 | 5 | | 80 |

Board Tray

| Length | Material | Part # | PCS / CTN | WT / CTN | Full Skid Quantity |
|--------|--------------------------------|---------------|-----------|----------|--------------------|
| 2' | Linear Zhaga 2' LED board tray | PRF-BT1-LZH-2 | | | |
| 4' | Linear Zhaga 4' LED board tray | PRF-BT1-LZH-4 | | | |
| 8' | Linear Zhaga 8' LED board tray | PRF-BT1-LZH-8 | | | |

Driver Channel

| Length | Material | Part # | PCS / CTN | WT / CTN | Full Skid Quantity |
|--------|--------------------------------------|------------|-----------|----------|--------------------|
| 16" | 16" CRS driver channel for 2' | PRF-DC1-16 | 40 | | |
| 20" | 20" CRS driver channel for 4' and 8' | PRF-DC1-20 | 40 | | |
| 2' | 2' raceway option for through wiring | PRF-RW1-2 | | | |
| 4' | 4' raceway option for through wiring | PRF-RW1-4 | | | |

Hardware

| Component | Part # | PCS / BAG | PCS / CTN | WT / CTN |
|-------------------------------------|-------------------|-----------|-----------|------------------|
| End Hold | PRF-EH-BLK-N | | 210 | 21 lbs / 9.52 kg |
| Driver Channel Hold | PRF-CH-BLK-N | | 1,200 | |
| Gasketed End Caps with D-Ring Black | PRF-S1-EC-BLK-N-S | | 160 | 22 lbs / 9.97 kg |
| Gasketed End Caps with D-Ring White | PRF-S1-EX-WHT-N-S | | 160 | 22 lbs / 9.97 kg |
| Acme Screw | PRF-AS-BLK-N | 80 | 160 | |
| Optional Wire Grommet | SLP-GRMT-0500 | 200 | 1,000 | |
| #8 LED Screw | SLP-SCRW-850 | 100 | | |
| Rivet | R.PR10101953 | | | |
| SLP Vent Plug | SLP-ENDPLUG-B-V | 100 | | |

Mounting Brackets

| Mounting Bracket | Material | Part # | PCS / BAG | PCS / CTN | WT/CTN |
|-------------------------------|-----------------|-----------|-----------|-----------|--------|
| Mounting Bracket (2 per unit) | Stainless steel | PRF-MB | | 1,200 | |
| Optional Safety Bail | Stainless steel | PRF-S1-SB | | 500 | |

Mounting Accessories

| Accessory | Material | Part # | PCS / BAG | PCS / CTN | WT/CTN |
|--|-----------------|---------|-----------|-----------|------------------|
| Chain Hang: Mounting Bail (2 per unit) | Stainless steel | CT-BAIL | 100 | 5,000 | 27 lbs / 12.2 kg |

Product offering and specifications subject to change without notice