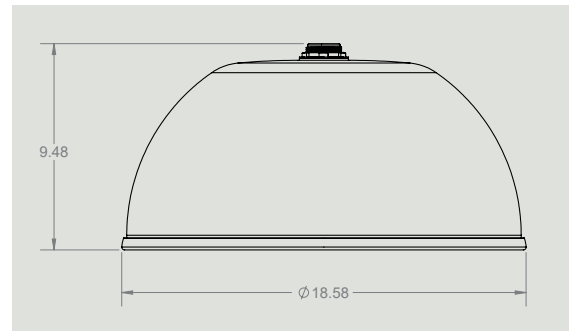




CircLED Shroud

- NSF Rated for Food Processing
- IP66 Rated
- Lightweight Rugged Design: 20lbs
- Low Bay



Driver Mounting

- Aluminum Driver Plates

Housing & Shroud

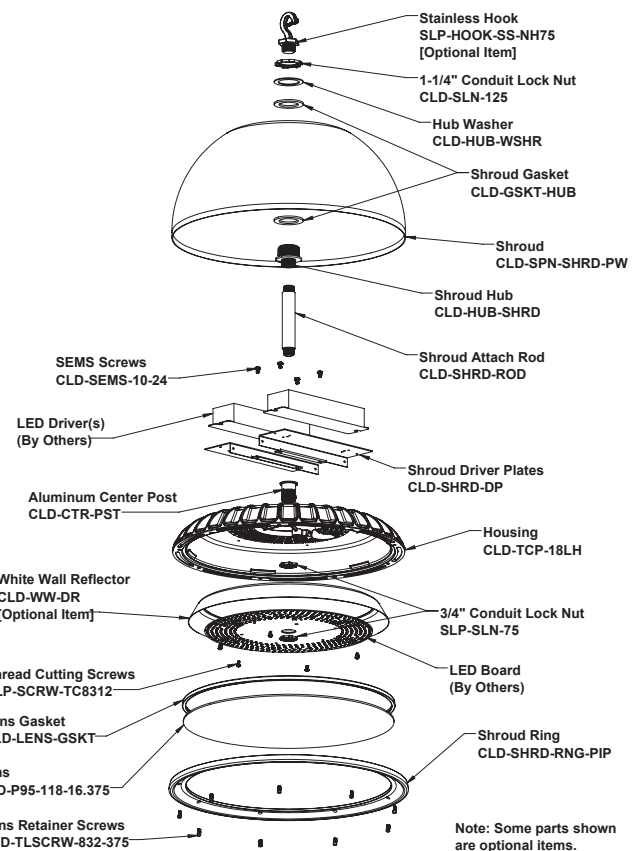
- 18" Diameter
- Thermally Conductive Molded Polymer Housing
- Powder Coated Aluminum Shroud
- Paint Finish Meets ASTM-B-117 Specifications
- Center Threaded Post Holds LED Array to housing; optional white wall reflector to boost lumen output
- Enclosed by Shroud Ring with Poured-in-place gasket, Shroud Rod and Gasketed Shroud Hub

Lens

- Frosted Acrylic Flat Lens to control glare
- Ring Gasket and Retainer Ring create a tight seal for IP66 Rating
- Accommodates Occupancy Sensor

Mounting Options

- SLP Stainless Steel Hook
- Pendant Mount
- Loop
- Rigid Conduit



Made in the USA

V09132019



SLP LIGHTING
www.slplighting.com

1400 S. Old Highway 141
Fenton, MO 63026
636-660-4084