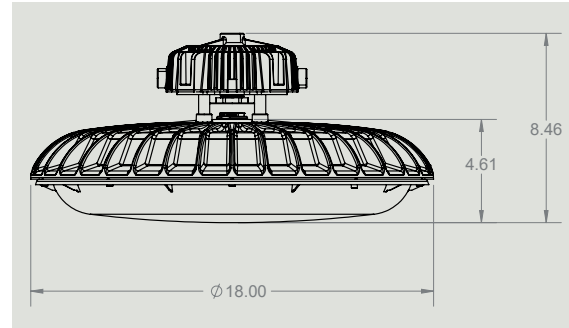




## CircLED™ RD

- UL1598
- IP65 Rated
- Lightweight Rugged Design: 15lbs
- High Bay



## Driver Mounting

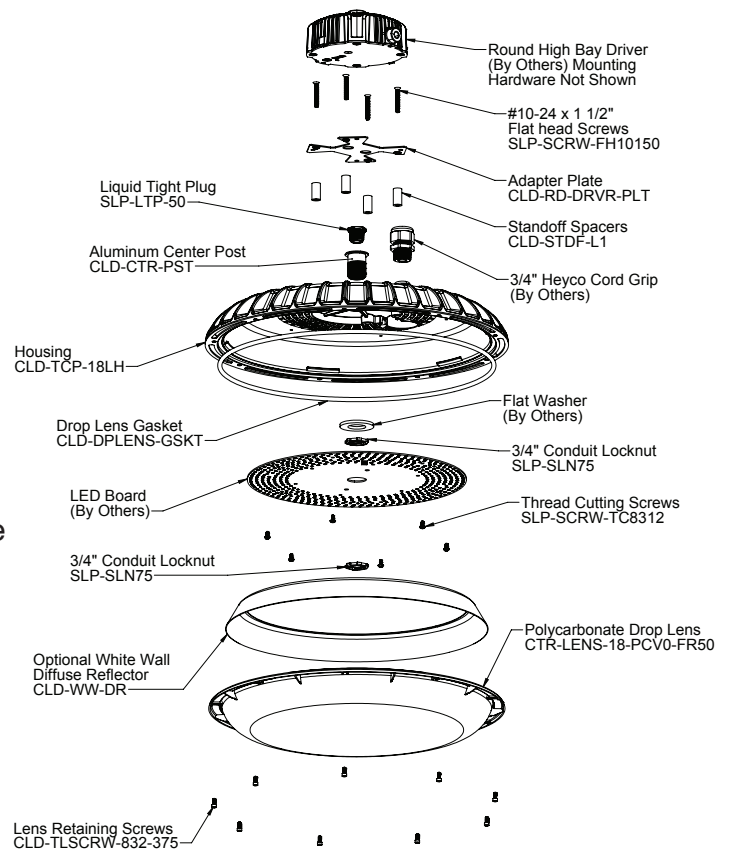
- MOSO/Meanwell Driver (Provided by Others)

## Housing

- CircLED™ Thermally Conductive Molded Polymer Housing
- 18" Diameter
- Center Threaded Post Holds LED Array to Housing and is Enclosed with Liquid Tight Plug
- Cord Grip Boss: 3/4" NPT/M20 Fittings

## Lenses

- FR50 VO Polycarbonate Drop Lens to control glare
- Clear VO Polycarbonate Flat Lens
- Gasket between lens and housing provides a tight seal
- Optional white wall reflector to boost lumen output



## Mounting Options

- Loop

**PRELIMINARY**  
**Made in the USA**