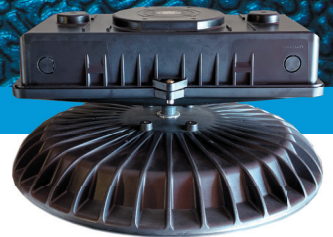
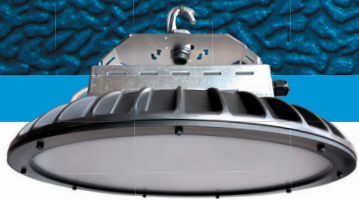


CircLED™

THERMALLY CONDUCTIVE PLASTIC - LIGHT WEIGHT - FOUR CONFIGURATIONS



**High Quality Design Utilizing Thermally Conductive Plastic
General High Bay**

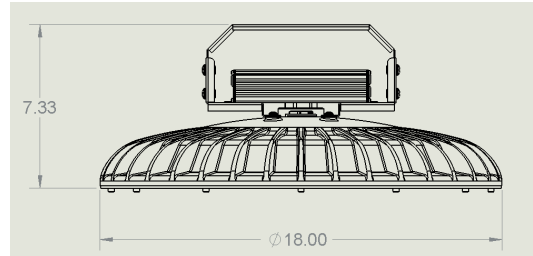
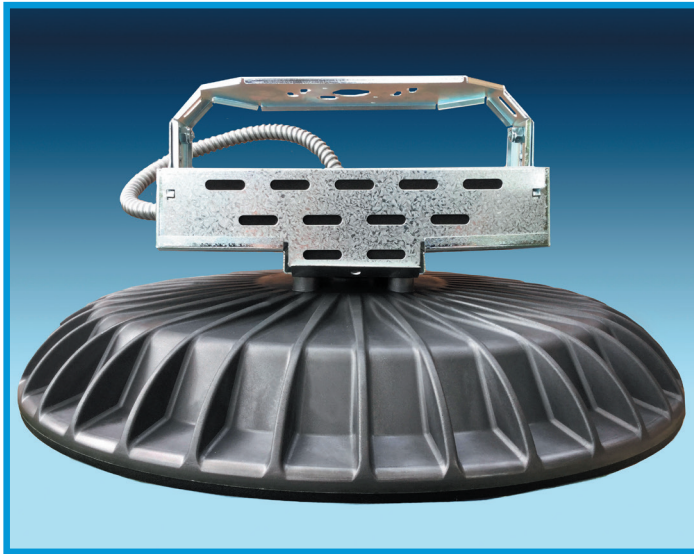
Low Bay with Water Shedding Shroud

Round Driver With UL94-VO Drop Lens

Remote Box 5VA Enclosure Mounted High Bay

CircLED™ General High Bay

- Up to 200W
- Lightweight Rugged Design: 15lbs
- Multiple Mounting Options



Driver Mounting

- Zinc Plated Steel Driver Base and Cover

Housing

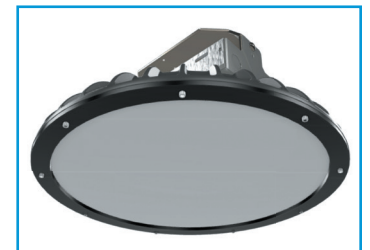
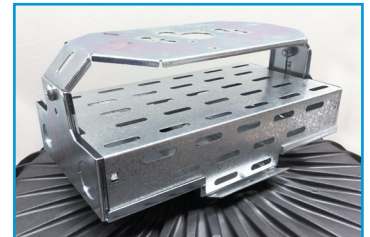
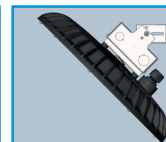
- Thermally Conductive Molded Polymer
- 18" Diameter
- Center Threaded Post Holds LED Array to Housing and is Enclosed with Liquid Tight Plug
- Cord Grip Boss: 3/4" NPT/M20 Fittings
- Optional white wall reflector to boost lumen output

Lens

- FR50 Acrylic or PC Flat Lens to control glare
- FR50 Acrylic or PC Drop Lens to control glare
- Clear Acrylic or PC Lens options available
- Lens Gasket and Retainer Ring create a tight seal for IP66 Rating when using IP66 Rated Drivers
- Accommodates Occupancy Sensor

Mounting Options

- Hook
- J-Box
- Pendant Mount
- Wall (45° or 90°)

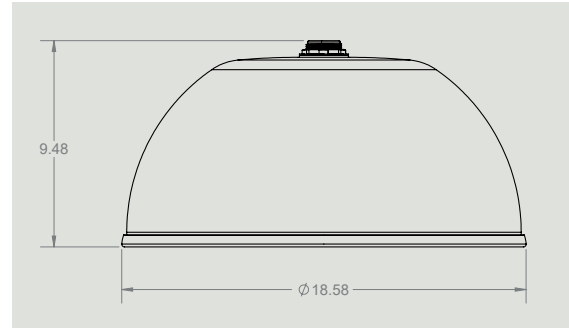


Made in the USA



CirLED™ Shroud

- NSF Rated for Food Processing
- IP66 Rated
- Lightweight Rugged Design: 20lbs
- Low Bay



Driver Mounting

- Aluminum Driver Plates

Housing & Shroud

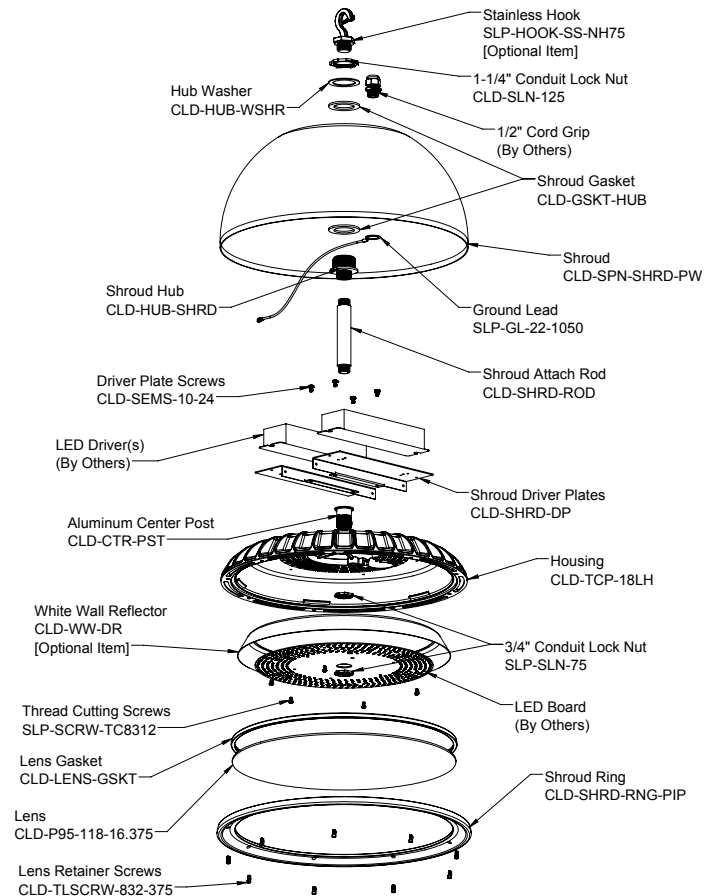
- 18" Diameter
- Thermally Conductive Molded Polymer Housing
- Powder Coated Aluminum Shroud
- Paint Finish Meets ASTM-B-117 Specifications
- Center Threaded Post Holds LED Array to housing; optional white wall reflector to boost lumen output
- Enclosed by Shroud Ring with Poured-in-place gasket, Shroud Rod and Gasketed Shroud Hub

Lens

- FR50 Acrylic or PC Flat Lens to control glare
- Clear Acrylic or PC Flat Lens options available
- Lens Gasket and Retainer Ring create a tight seal for IP66 Rating
- Accommodates Occupancy Sensor

Mounting Options

- SLP Stainless Steel Hook
- Pendant Mount
- Loop
- Rigid Conduit



Made in the USA



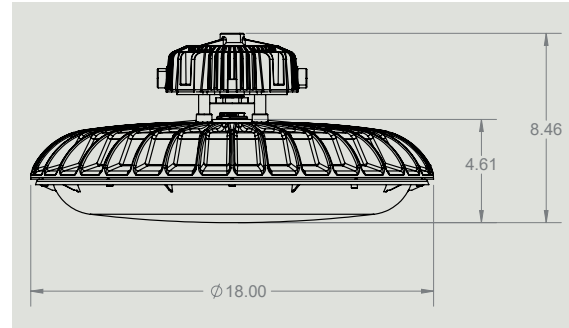
SLP LIGHTING
www.slplighting.com

1400 S. Old Highway 141
Fenton, MO 63026
636-660-4084



CircLED™ RD

- UL1598
- IP65 Rated
- Lightweight Rugged Design: 15lbs
- High Bay



Driver Mounting

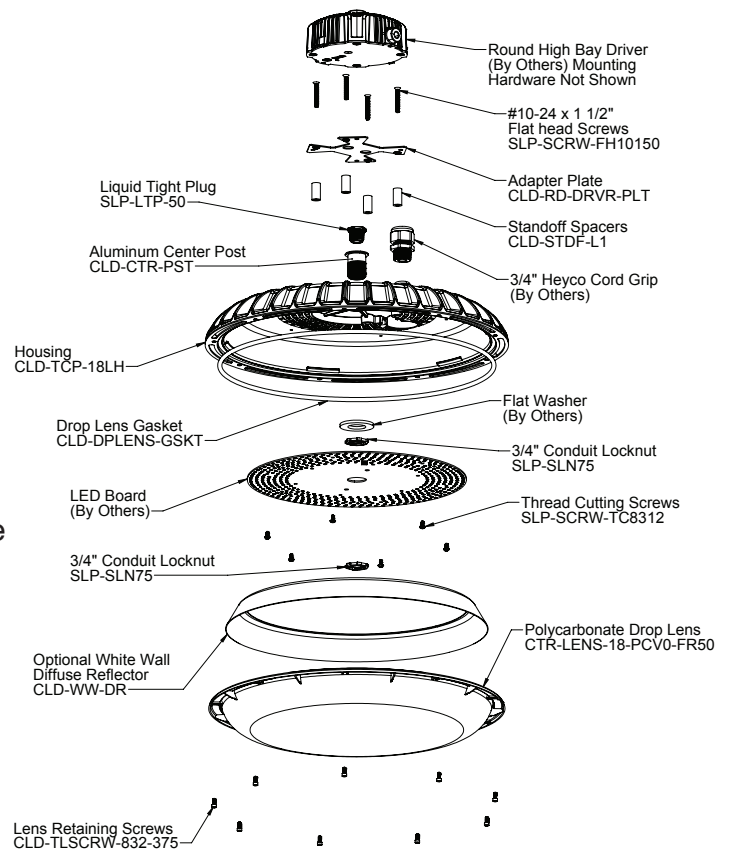
- MOSO/Meanwell Driver (Provided by Others)

Housing

- CircLED™ Thermally Conductive Molded Polymer Housing
- 18" Diameter
- Center Threaded Post Holds LED Array to Housing and is Enclosed with Liquid Tight Plug
- Cord Grip Boss: 3/4" NPT/M20 Fittings

Lenses

- FR50 VO Polycarbonate Drop Lens to control glare
- Clear VO Polycarbonate Flat Lens
- Gasket between lens and housing provides a tight seal
- Optional white wall reflector to boost lumen output



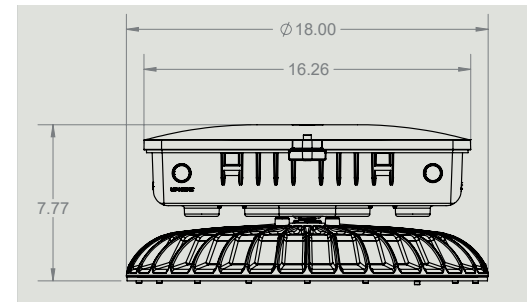
Mounting Options

- Loop

PRELIMINARY
Made in the USA

CircLED™ RB

- UL1598 Listed
- IP65 & IP66 Rated
- Lightweight Rugged Design: 20lbs
- Low or High Bay



Driver Mounting



- SLP 5VA Remote Box Enclosure separates drivers from the board to reduce heat
- NEMA 4X Listed
- NEMA 13 Listed
- NSF Rated

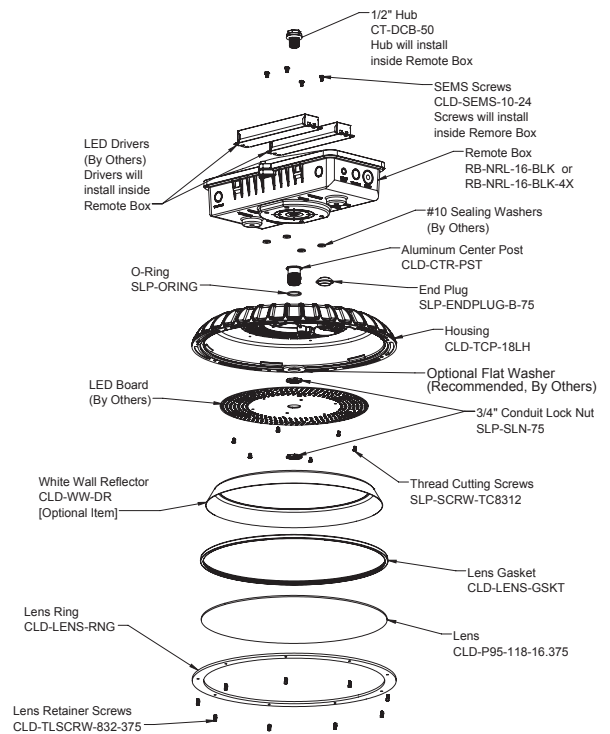
Housing

- Thermally Conductive Molded Polymer
- 18" Diameter
- Center Threaded Post Holds LED Array to Housing and is Enclosed with Liquid Tight Plug
- Cord Grip Boss: 3/4" NPT/M20 Fittings



Lenses

- FR50 Acrylic or PC Flat Lens to control glare
- FR50 Acrylic or PC Drop Lens to control glare
- Clear Acrylic or PC Lens options available
- Lens Gasket and Retainer Ring create a tight seal for IP66 Rating
- Optional white wall reflector to boost lumen output
- Flat Lens Accommodates Occupancy Sensor



Mounting Options

- Remote Box Mounting Straps
- SLP Stainless Steel Hook
- Pendant Mount
- Direct to J-Box
- Rigid Conduit



Made in the USA

Certifications

UL



IP66



IP65

NSF

MADE in USA



SLP LIGHTING - 1400 S. OLD HIGHWAY 141 - FENTON, MO 63026 USA
PHONE: 800.248.0224 / 636.600.4084 - FAX: 636.600.4108
sales@slplighting.com - www.slplighting.com

V07102020