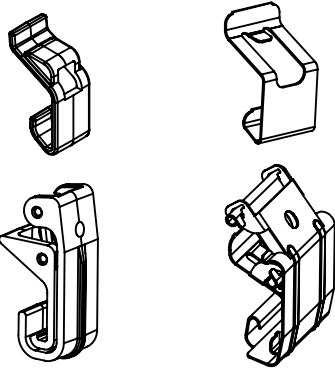
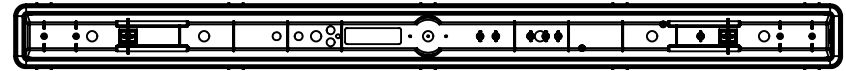
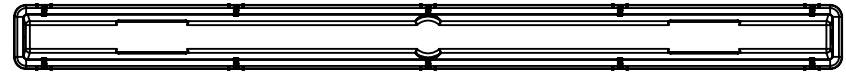


# CTVS: CITADEL VALUE SERIES

## Components List

5VA (f1) POLYCARBONATE GASKETED HOUSING

CTVS-HV5-1L4



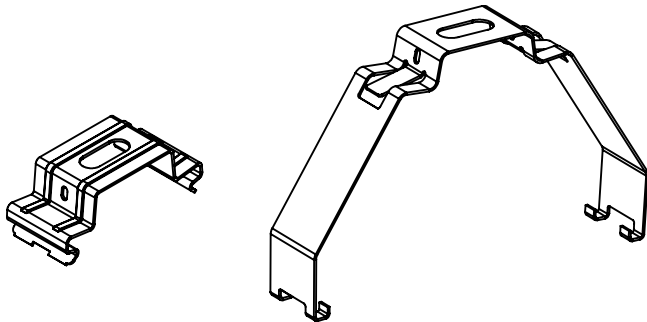
LATCHING OPTIONS (qty 10)

- CTVS-CW
- CT4S-LC
- CT4S-LATCHW
- CT4S-LATCHSS



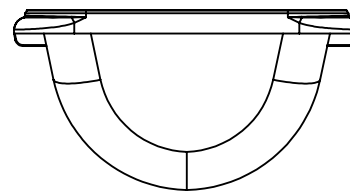
RETAINER CLIP & TRAY

- CT-RC-WIDE
- CTVS-LED-BTGT-1L4-1R-U



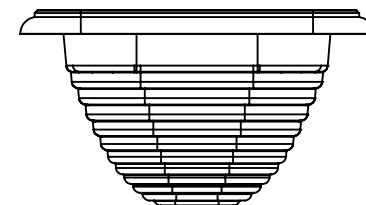
MOUNTING OPTIONS (qty 2)

- CTVS-MB
  - CTVS-MB-MCH
  - CT2-MB-1L
  - CT2-MB-1L-MCH
- CT-BAIL works with all*



LENS OPTIONS (qty 1)

- CT2-CP-1L4
- CT2-CP-1L4-FR50
- CT2-CIRA-1L4
- CT2-CIRA-1L4-FR50



- CT2-DP-1L4
- CT2-DP-1L4-FR50
- CT2-DIRA-1L4
- CT2-DIRA-1L4-FR50

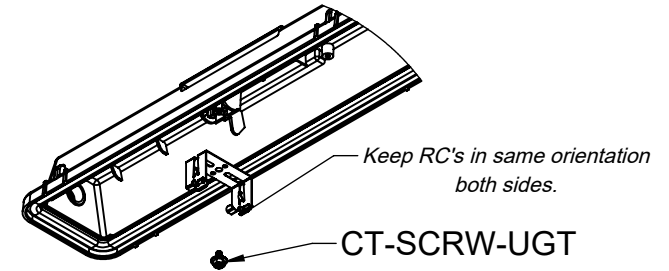
## ASSEMBLY GUIDE

Page 1 of 5

# CTVS: CITADEL VALUE SERIES

The assembly process of the Citadel Value Series 1L4 comes down to three sections.

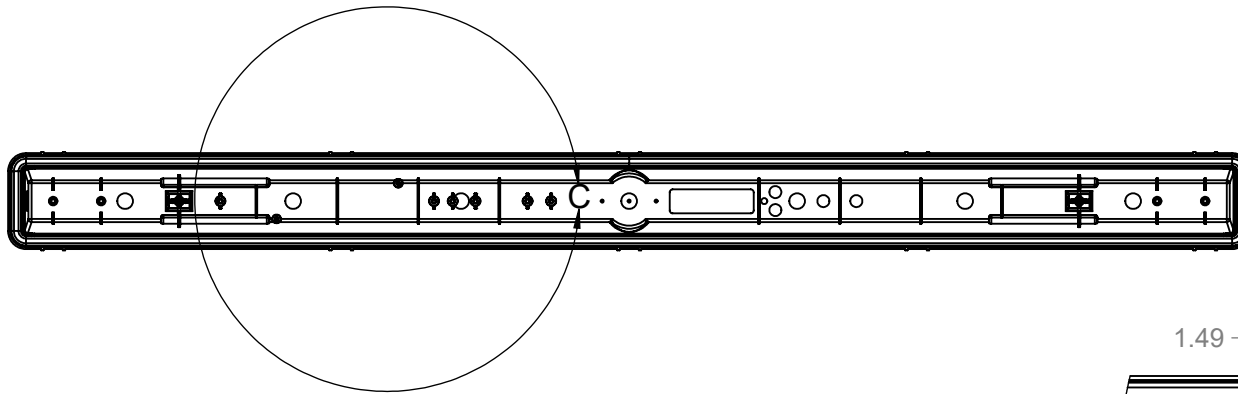
- 1) Attaching the retainer clips and LED driver to the housing itself, using the universal gear tray screws, CT-SCRW-UGT.
- 2) Populating the LED board tray with the LED boards. The default board tray used is design for a hybrid linear zhaga pattern.
- 3) Attaching chosen latch/clip along with lens.



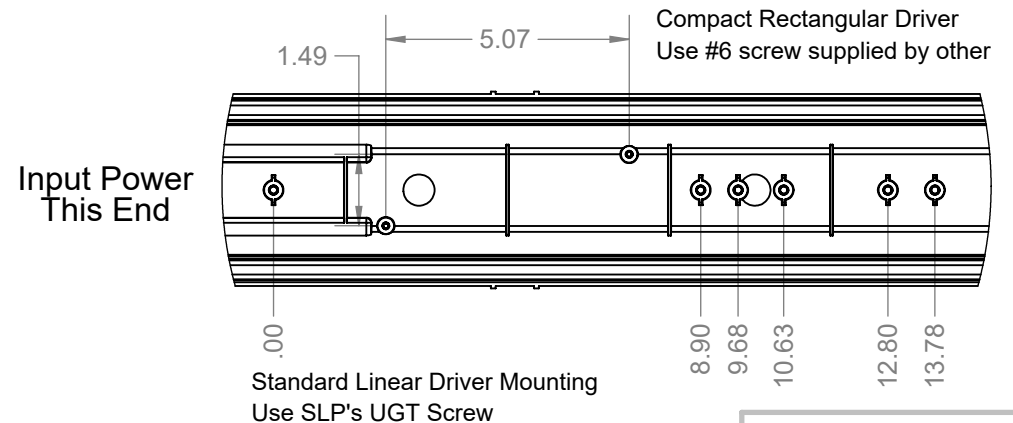
Attach Wide Retainer Clips, CT-RC-WIDE, to internal bosses using CT-SCRW-UGT.

Attach plastic gear tray tether if applicable.

Side Note: THE Value Series does not use the normal CT-SCRW



*If not supplying complete fixture with a Cord-Grip or Cord-Grip & PLUG, please insert an Endplug onto the housing, CT-ENDPLUG-B*

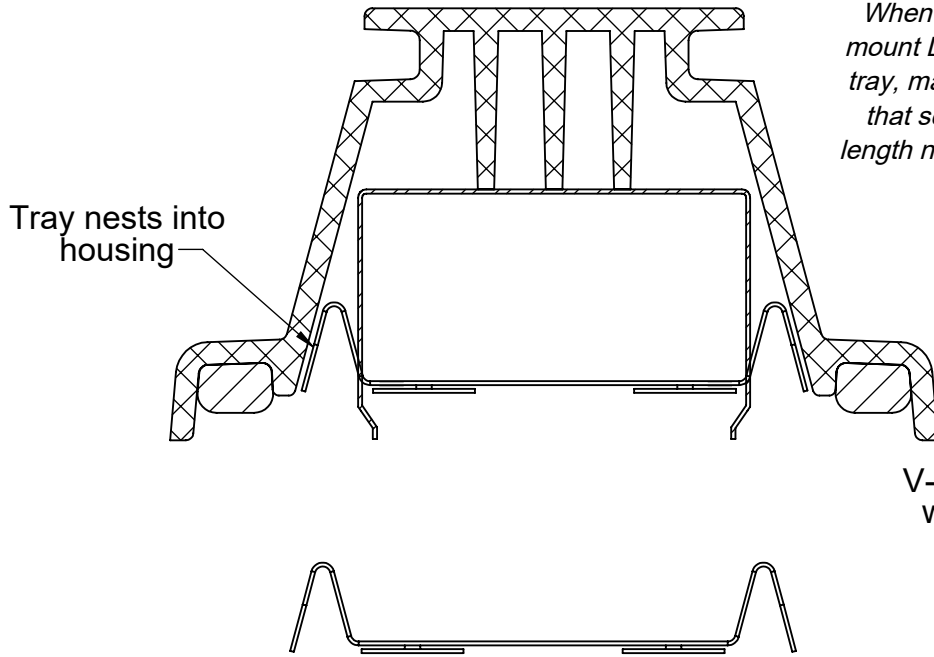


## ASSEMBLY GUIDE

Page 2 of 5

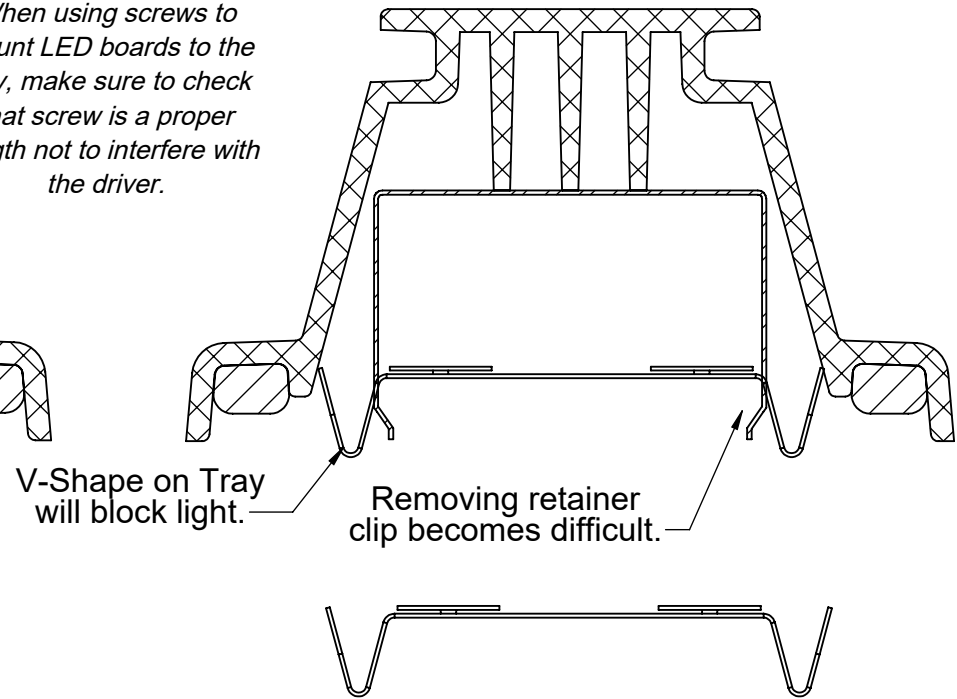
# ORIENTATION OF THE LED BOARD TRAY MATTERS.

### Correct Orientation



*When using screws to mount LED boards to the tray, make sure to check that screw is a proper length not to interfere with the driver.*

### Incorrect Orientation

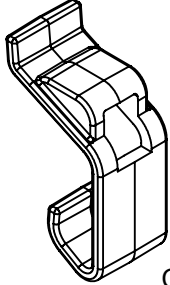
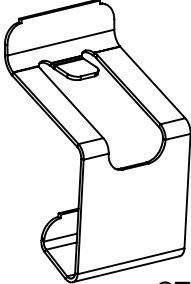
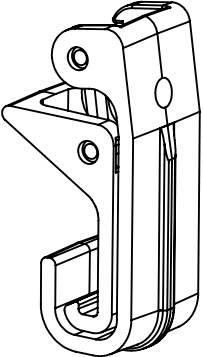
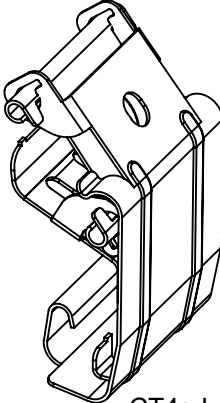


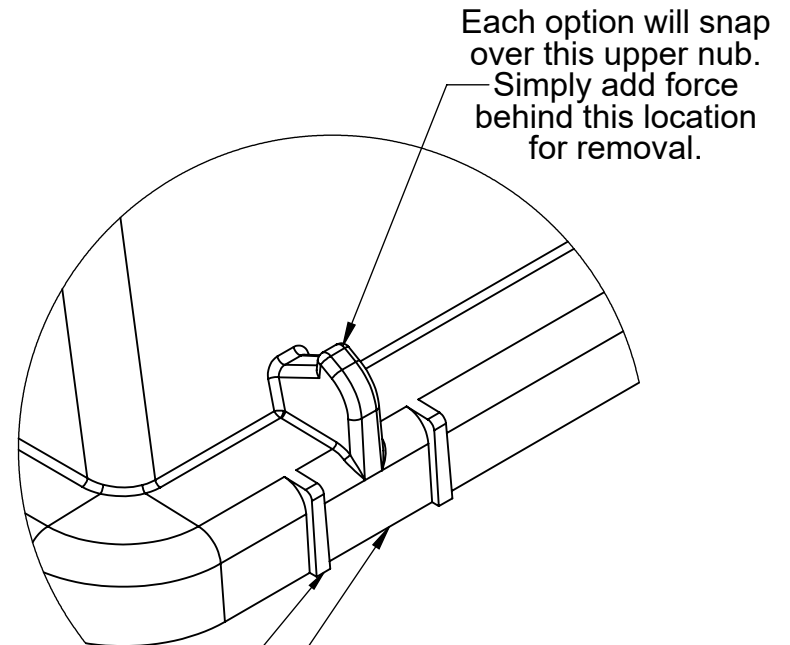
## RETAINER CLIP AND TRAY

CT-RC-WIDE with CTVS-LED-BTGT-1L4-1R-U



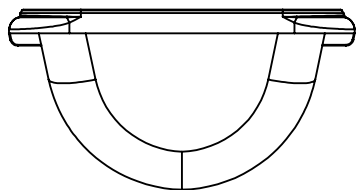
THE CTVS utilizes 10 latches,  
with two clip options and two latch options.

	WHITE POM	316 Stainless Steel
SINGLE PIECE CLIP Installed with Lens	 CTVS-CW	 CT4s-LC
3 PIECE LATCH Installed Before Lens	 CT4s-LATCHW	 CT4s-LATCHSS

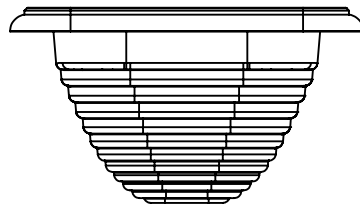


Both SS options rest between these two positioning boards.

- **Latches** are installed before the lens.
- The keeper on the latches will go on first, and the catch will snap over the nubs.
- **Clips** are installed with the lens on.



- CT2-CP-1L4
- CT2-CP-1L4-FR50
- CT2-CIRA-1L4
- CT2-CIRA-1L4-FR50

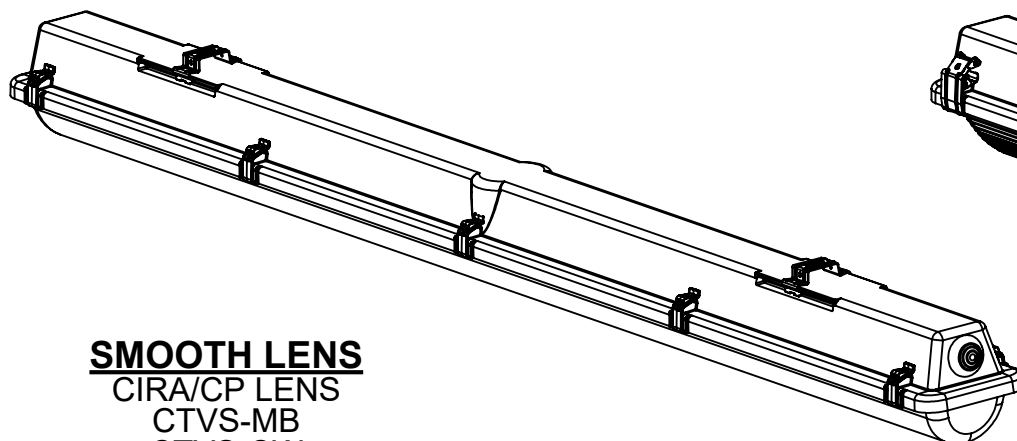
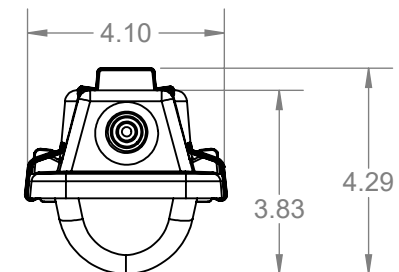
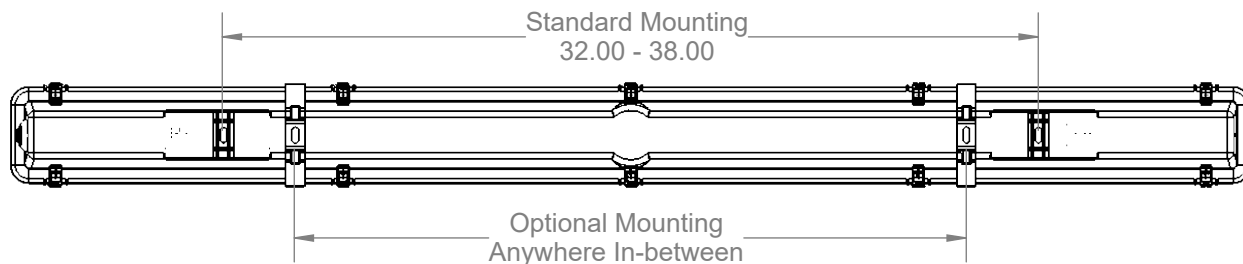
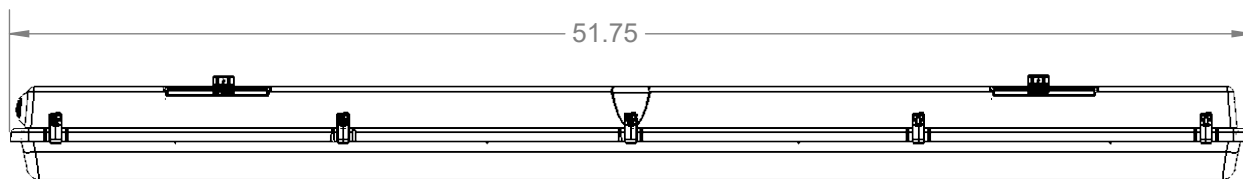


- CT2-DP-1L4
- CT2-DP-1L4-FR50
- CT2-DIRA-1L4
- CT2-DIRA-1L4-FR50

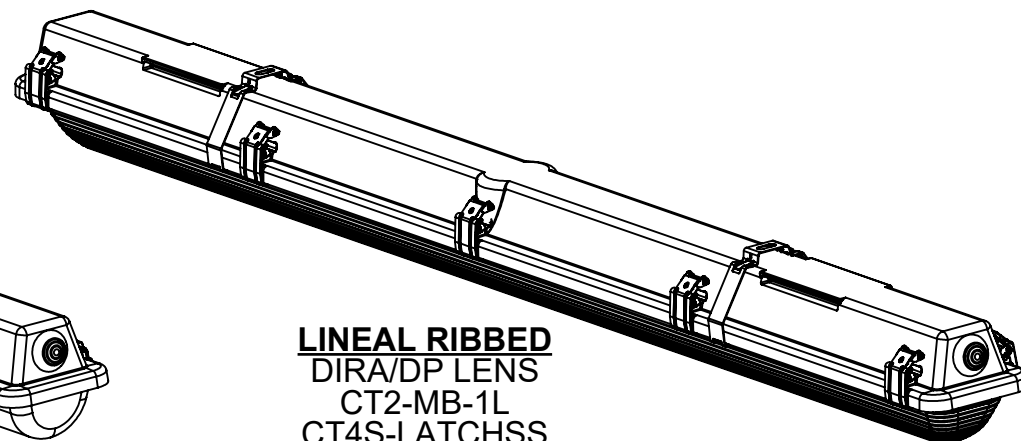
## ASSEMBLY GUIDE

# CTVS: CITADEL VALUE SERIES

## Line Drawings



**SMOOTH LENS**  
CIRA/CP LENS  
CTVS-MB  
CTVS-CW



**LINEAL RIBBED**  
DIRA/DP LENS  
CT2-MB-1L  
CT4S-LATCHSS

### ASSEMBLY GUIDE

