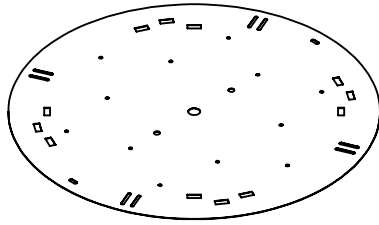
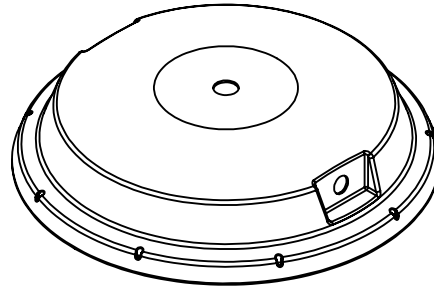


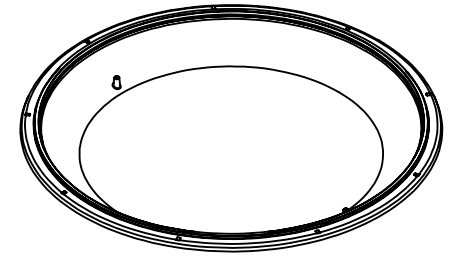
2XDAR PLATE  
□ CTR-2XDAR



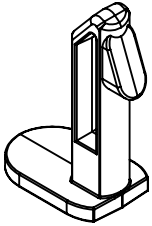
CTR BOARD TRAY  
□ CTR-BT1-18



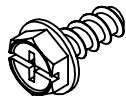
CTR HOUSING  
□ CTR-HV5-18-PIP  
□ CTR-HV5-18-PIP-JB(OPTION)



CTR LENS  
□ CTR-LENS-18-PC  
□ CTR-LENS-18-ACR  
□ CTR-LENS-18-PC-FR50  
□ CTR-LENS-18-ACR-FR50



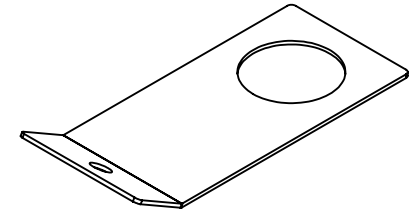
CTR LENS PIN  
□ SLP-PIN



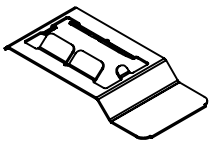
GEARTRAY RETAINER CLIP SCREW  
□ CT-SCRW



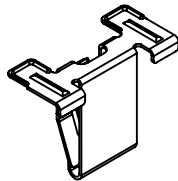
DRIVER ATTACH SCREW  
□ CT-SCRW-UGT



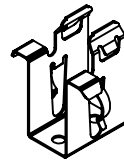
CTR SAFETY BRACKET  
□ SLP-BKT-SAF (OPTION)



CT-2XDAR CLIP  
□ CT-2XDAR-CLIP



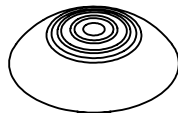
BOARD RETENTION CLIP  
□ CT-LED-BRC-SM-S



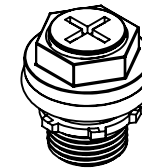
GEARTRAY RETAINER CLIP  
□ CT-RC



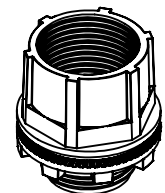
CITADEL ENDPLUG  
□ CT-ENDPLUG-B



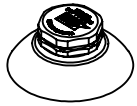
CITADEL ENDPLUG  
□ SLP-ENDPLUG-B-75



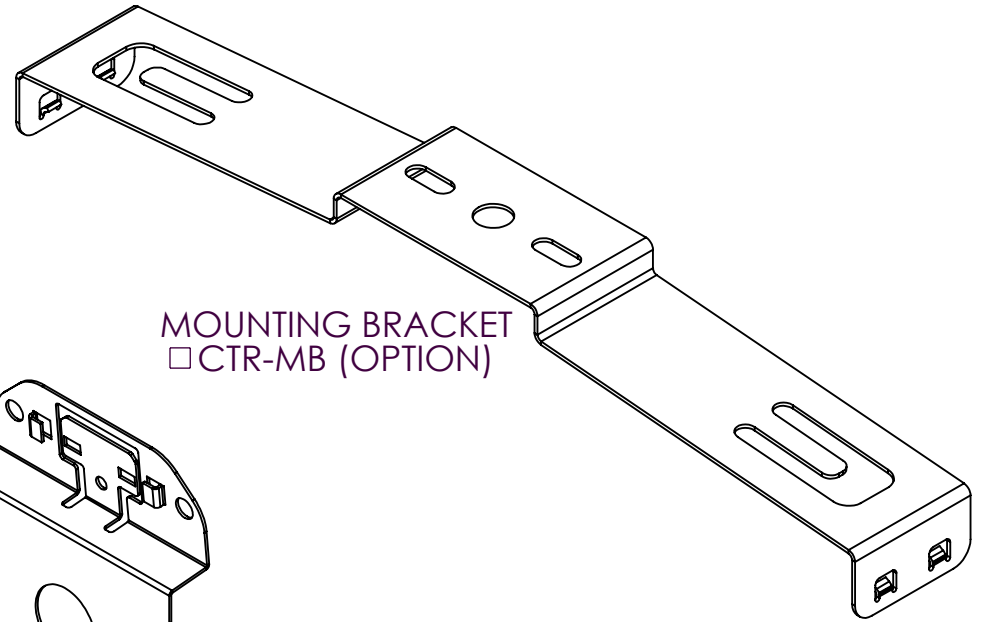
1/2" HUB  
□ CT-DCB-50  
(OPTION)



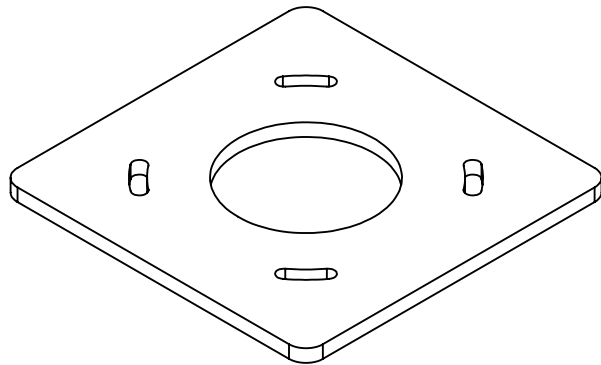
5/4" HUB  
□ CT-DCB-75  
(OPTION)



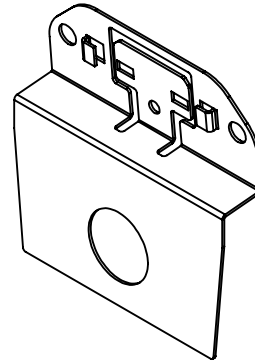
ENDPLUG WITH VENT  
□ SLP-ENDPLUG-B-V (OPTION)



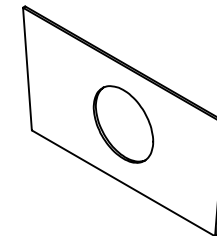
MOUNTING BRACKET  
□ CTR-MB (OPTION)



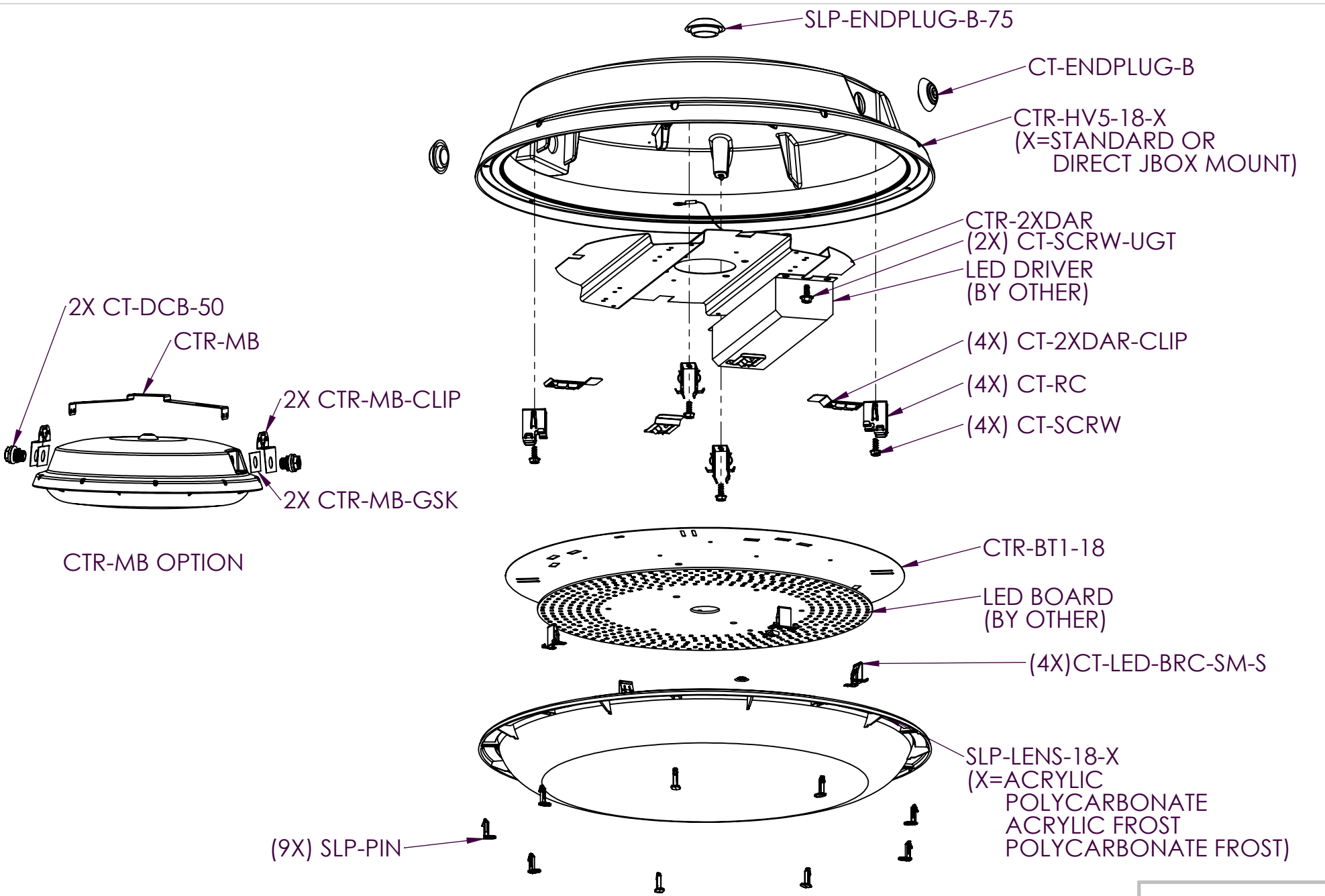
DIRECT TO JBOX GASKET  
□ SLP-GSK-JBX (OPTION)

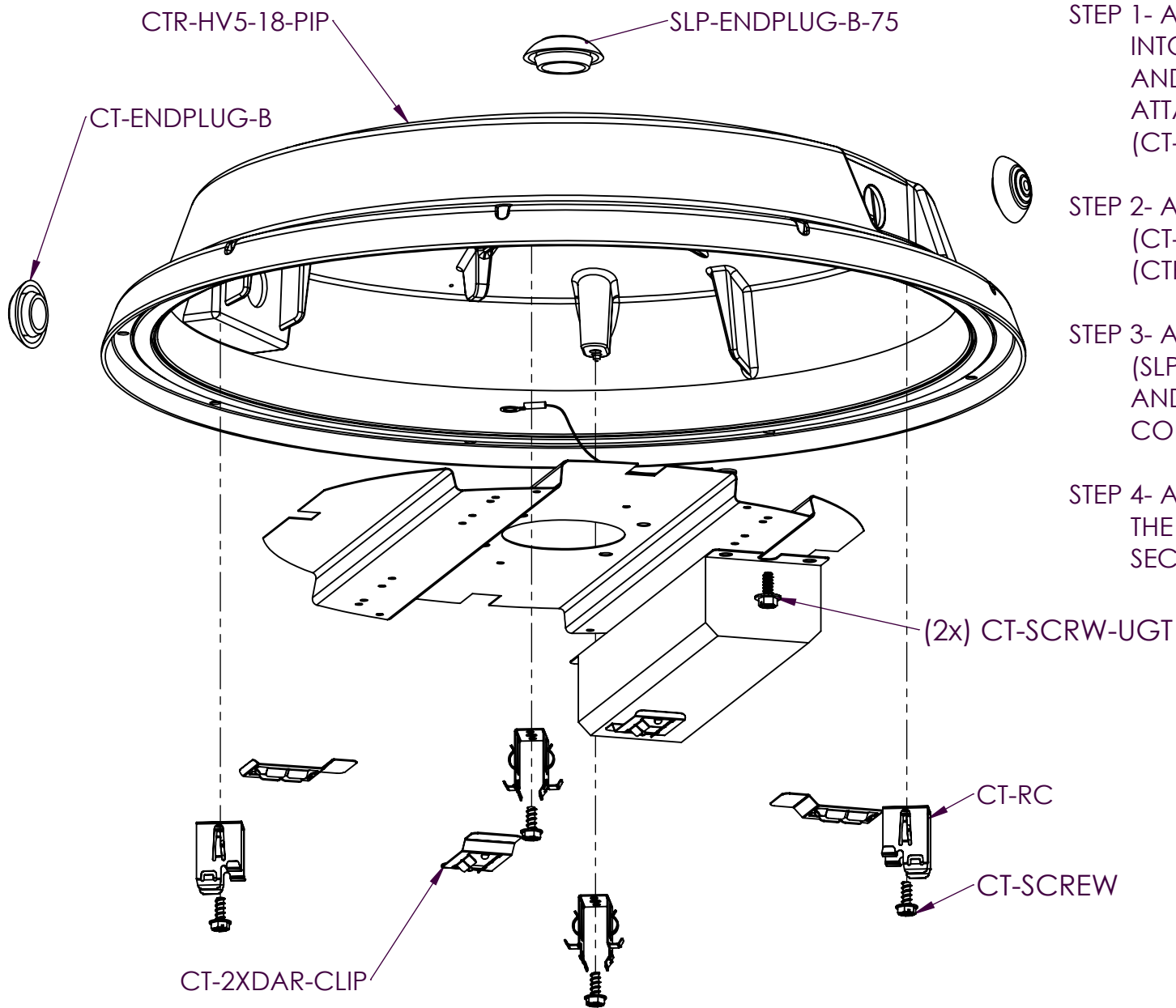


MOUNTING BRACKET CLIP (2X)  
□ CTR-BKT-CLIP (OPTION)



MOUNTING BRACKET CLIP  
GASKET (2X)  
□ CTR-MB-GSK (OPTION)



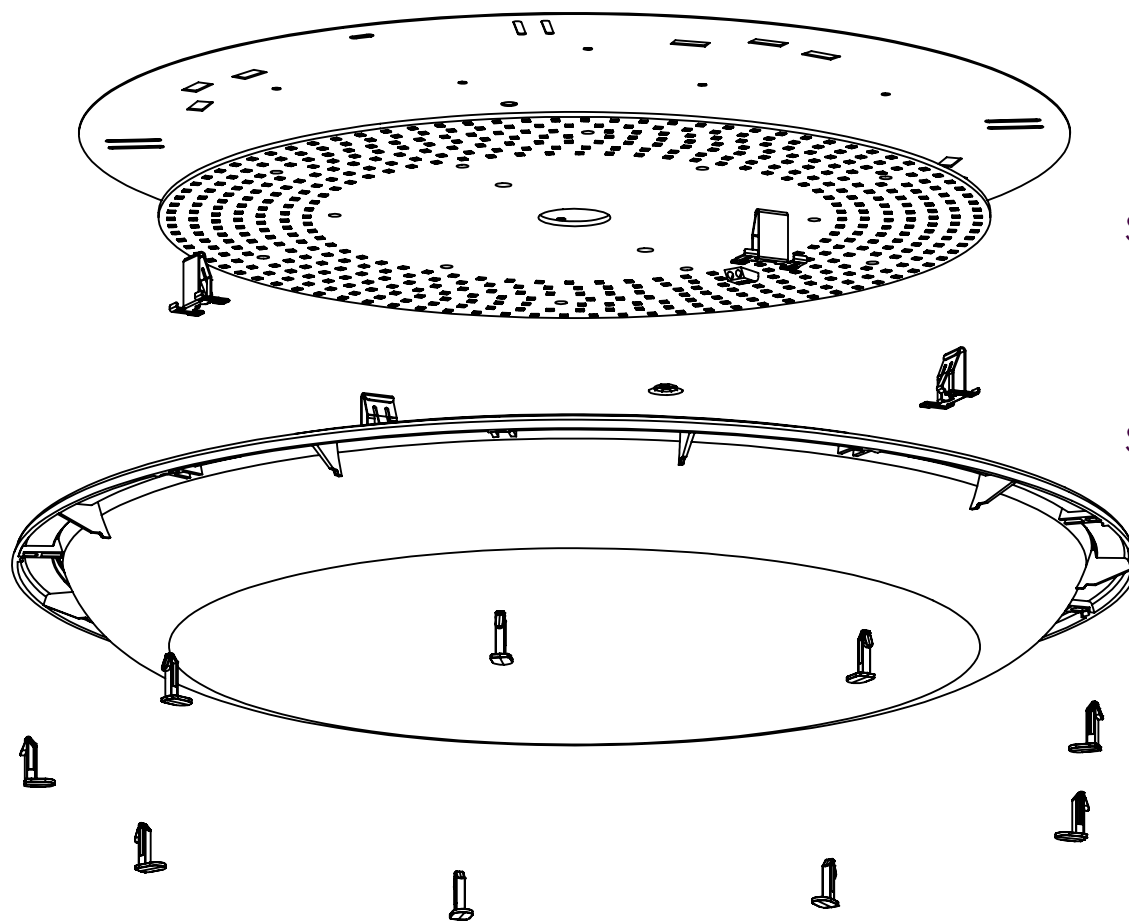


STEP 1- ATTACH DAR PLATE (CTR-2XDAR) INTO THE HOUSING (CTR-HV8-18-PIP) AND SECURE WITH DRIVER ATTACHMENT RAIL CLIPS (CT-2XDAR-CLIP)

STEP 2- ATTACH BOARDTRAY RETAINER CLIP (CT-RC) TO THE HOUSING (CTR-HV5-18-PIP) AT THE BOSSES

STEP 3- ATTACH ENDPLUGS IF NEEDED (SLP-ENDPLUG-B-75) AT THE TOP AND (CT-ENDPLUG-B) FOR THE SIDE CONDUIT LOCATIONS.

STEP 4- ATTACH DRIVER (BY OTHERS) TO THE DRIVER ATTACHMENT RAIL AND SECURE WITH SCREWS (CT-SCRW-UGT)



STEP 1- ATTACH LED BOARD TO THE BOARD TRAY (CTR-BT1-18) AND SECURE WITH LED BOARD RETAINER CLIPS (CT-LED-BRC-SM-S) THERE IS A HOLE PATTERN TO USE THREADING SCREWS

STEP 2- ATTACH THE BOARD TRAY (CTR-BT1-18) TO THE FIBER GLASS HOUSING (CTR-HV5-18) AT THE RETAINER CLIPS (CT-RC)

STEP 3- ATTACH THE DIFFUSER (CTR-LENS-X) TO HOUSING (CTR-HV5-18-PIP) USING THE PININSERT™ SYSTEM (SLP-PIN)