

## CITADEL 2 - NARROW 4':

Second generation gasketed enclosure. CITADEL 2 offers more versatility and benefits than any other weatherproof enclosure offered in North America.

### FEATURES & BENEFITS:

#### Housing

- UL 5VA fiberglass (will not melt or burn)
- UL approved for through wiring
- UL f1 rated (suitable for outdoor use exposure to ultraviolet light)
- Meets UL 746 (suitable for exposure and immersion of water)

#### Gear/Board & Ballast/Driver Trays

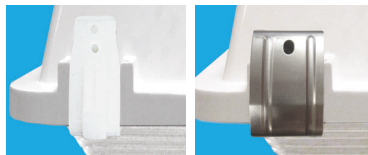
- Fluorescent sockets or LED boards are attached to a one piece white steel tray
- Tray securely snaps into stainless steel retainer clips, which are installed in housing
- Integral hanger hook allows suspension of the tray during maintenance & installation
- Nylon safety straps attach the tray and retainer clips for safety and easy maintenance
- Ballast/ drivers are either mounted to the backside of the gear/board trays or the inside of the housing on a separate white steel tray

#### Gasket

- "Poured in place", closed cell polyurethane
- Compression recovery of 95-99%
- Will not support fungal growth

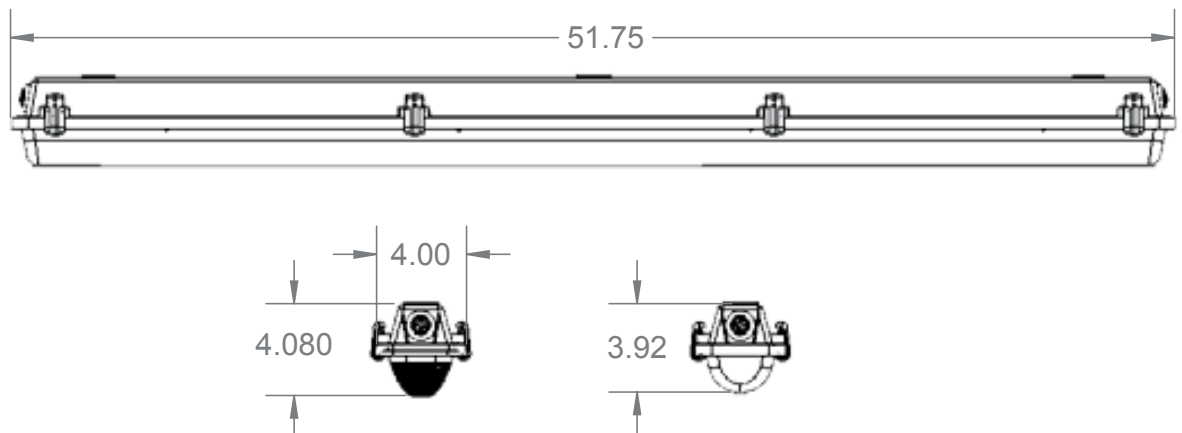
#### Latches

- CAPTIVE, affixed to the housing therefore will not fall off
- LOCK open thus saving time and money during maintenance and installation
- TAMPER proof, when using screws
- Available in
  - Clear Polycarbonate
  - White POM
  - Marine Grade 316-Stainless Steel



### DIMENSIONS:

All dimensions are shown in inches unless otherwise noted.



### CERTIFICATIONS:



**NEMA 4X**

**IP65**

**IP66**

**IP67**

**RoHS**



Learn about SLP Certifications at:  
[www.splighting.com/SLP/certificatedefinitions.html](http://www.splighting.com/SLP/certificatedefinitions.html)

# SLP LIGHTING

## CITADEL 2 - NARROW 4'

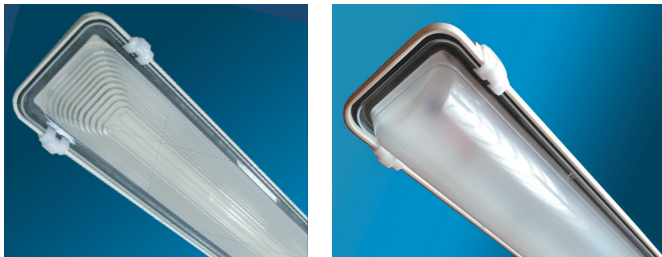
### ACCESSORIES & OPTIONS:

#### Optics:

- All SLP lenses are injection molded and have the Guardian Seal feature
- Available in either Clear or FR50 Frost
  - Acrylic
    - 100% impact modified (similar to DR), non-yellowing
    - Best in areas with UV exposure
    - Better than Polycarbonate in areas with chemicals (refer to SLP's chemical resistance chart for details)
    - Clear transmission 93%
    - Frosted transmission 88%
  - Polycarbonate
    - UV stabilized
    - Best in extreme temperature and high abuse conditions (freezers/ foundries)
    - Clear transmission 89%
    - Frost transmission 82%

#### Two styles of lenses

- Lineal Ribbed (low profile)
  - Best for obscuring the image of fluorescent or LED lamps
- Smooth (low profile)
  - Best shallow lens for LED boards and overall light distribution



Photometrics Available at: [http://www.slplighting.com/SLP/photometrics\\_enter.html](http://www.slplighting.com/SLP/photometrics_enter.html)

#### Installation:

- Fixture can be mounted in various ways direct to the ceiling, junction box, pendant (single or dual point), by Grippler cable or chain.



### APPLICATIONS:



PARKING GARAGE



GARDEN CENTERS



STAIRWELLS



STORAGE



UNDERDRAWINGS



FOOD PROCESSING