

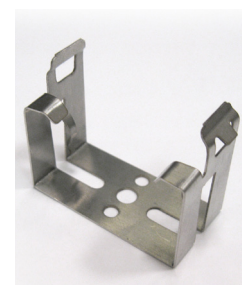
Citadel 2™ LED Enclosure - Style 1



The Citadel 2™ offers more versatility and benefits than any other weatherproof enclosure offered in North America. It is fully compatible for LED applications and high efficiency lighting.

Features & Benefits

- Multiple lighting solutions
- Quick and easy assembly using board retention clips
- Save time and maintenance
- Dual row boardtray for typical board widths 0.95" or 1.60"
- Single center row boardtray for boards widths of 1.60" or less
- Flat boardtray designed for LED board placement
- Board retention clips pop in place to hold LED boards
 - 2': 4 clips
 - 4': 8 clips
 - 8': 16 clips
- Board retention clip scratch proof conductivity inhibitor coating
- Retention clip designed to work for .060" to .084" overall thickness
- With retention clips, there is no need for screws or tape
- Traditional Citadel 2 low profile housing
- Three lengths: 2', 4' and 8'
- Two housing widths: 4" and 6.75"
- Wide retainer clips for center row of LEDs
- Poured-in-place gasket and latches seal enclosures from most hostile environments
- Tamper Resistant Latches:
 - White Captive
 - Clear Captive Polycarbonate
 - Stainless Steel
- Economical mounting system can provide dramatic savings on installation labor
- FR50™ frosted lenses for smooth distribution
- Wireguard Mounting Bracket available for 4'
 - Contact your SLP Customer Service Representative for additional sizes



Applications

- Parking Garages
- Exterior Retail
- Construction Sites
- Gymnasiums
- Freezers
- Food Processing
- Beverage Industry
- Manufacturing

Certifications

- UL Wet Location
- NSF International
- IP65, IP66, IP67
- Nema 4X
- RoHS
- DLC QPL

Product offering and specifications subject to change without notice



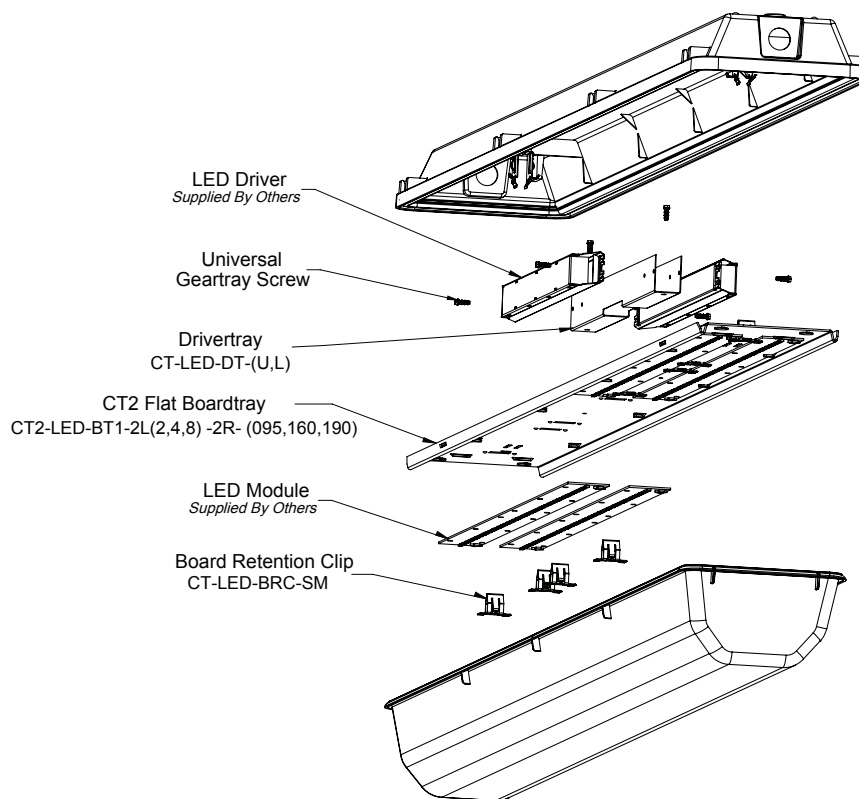
V07122023

1400 South Old Highway 141
Fenton, MO 63026
636.600.4084
www.splighting.com

Citadel 2™ LED Enclosure - Style 1



Assembly



Components

Component	Standard Material	Pieces Required per Assembly			Available Options
		2'	4'	8'	
Housing	UL Rated: 5VA (f1) FRP	1	1	1	Housing for Single or Dual Pendant Mounting
Diffuser	Lineal Ribbed: PC or Impact Resistant Acrylic (f1) Material	1	1	1	Lineal Ribbed Diffuser (DIRA/DP) Deep Lens (LIRA) Shallow Lens (CIRA/CP) All Available in Clear or FR50 Frosted
Boardtray	CRS: Min 87% reflectance	1	1	1	2L2, 2L4, 2L8/1R, 2R/070, 095, 160/LZ
Retainer Clip	Stainless Steel	2	2	3	N/A
Retainer Clip Screw	100 pcs/bag	2	2	3	N/A
Board Retention Clips	Metal White	4	8	16	N/A
Driver Tray	Sheet Metal	1	1	2	L-Shape for 1/U-Shape for 2
Universal Gear Tray Screw *CT-SCRW-UGT	CT-SCRW-UGT	2 per Driver Tray + 2 per Driver Tray L-Shape = 4, U-Shape = 6			
Gear Tray Safety Strap	100 pcs/bag	2	2	2	N/A
Latches	Clear Polycarbonate	1 Bag (6)	1 Bag (8)	1 Bag (14)	SLP-SCRW-850
End Plug	Included in Latch Bag	1	1	1	N/A
Mounting Bracket	Stainless Steel	2	2	2	Drilled for Pendant Optional Bail Accessory 45°

Product offering and specifications subject to change without notice



V07122023

1400 South Old Highway 141
Fenton, MO 63026
636.600.4084
www.splighting.com

Citadel 2™ LED Enclosure - Style 1



Housing

Width	Length	Material	Part #	PCS/CTN	Full Skid Quantity	WT/CTN
Narrow	4'	5VA (f1) Fiberglass (UL)	CT2-HV5-1L4	30	360	57 lbs/34.5 kg
Wide	2'	5VA (f1) Fiberglass (UL)	CT2-HV5-2L2	20	240	75 lbs/34 kg
		5VA (f1) Fiberglass (UL) Single Pendant	CT2-HV5-2L2-CH1.25	20	240	75 lbs/34 kg
	4'	5VA (f1) Fiberglass (UL)	CT2-HV5-2L4	20	240	57 lbs/25.9 kg
		5VA (f1) Fiberglass (UL) Single Pendant	CT2-HV5-2L4-CH1.25	20	240	57 lbs/25.9 kg
		5VA (f1) Fiberglass (UL) Dual Pendant	CT2-HV5-2L4-2H8.75	20	240	57 lbs/25.9 kg
	8'	5VA (f1) Fiberglass (UL)	CT2-HV5-2L8	60	240	420 lbs/190.5 kg

Single Row (1R) Board Trays

Width	Length	Description	Material	Part #	PCS/CTN
Narrow	4'	FLAT Board Tray SINGLE CENTER ROW	White Enamel Steel	CT2-LED-BT1-1L4-1R	
		FLAT Board Tray SINGLE ROW TYPICAL 0.95" BOARDS	White Enamel Steel	CT2-LED-BT1-1L4-1R-095	
		FLAT Board Tray SINGLE ROW TYPICAL 1.60" BOARDS	White Enamel Steel	CT2-LED-BT1-1L4-1R-160	
Wide	2'	Board Tray FOR CENTER ROW BOARDS < 1.60" WIDE*	White Enamel Steel	CT2-LED-BT1-2L2-1R	
		Board Tray FOR CENTER ROW BOARDS 0.95" WIDE	White Enamel Steel	CT2-LED-BT1-2L2-1R-095	
		Board Tray FOR CENTER ROW BOARDS 1.60" WIDE	White Enamel Steel	CT2-LED-BT1-2L2-1R-160	
	4'	Board Tray FOR CENTER ROW BOARDS < 1.60" WIDE*	White Enamel Steel	CT2-LED-BT1-2L4-1R	
		Board Tray FOR CENTER ROW BOARDS 0.95" WIDE	White Enamel Steel	CT2-LED-BT1-2L4-1R-095	
		Board Tray FOR CENTER ROW BOARDS 1.60" WIDE	White Enamel Steel	CT2-LED-BT1-2L4-1R-160	
	8'	Board Tray FOR CENTER ROW BOARDS < 1.60" WIDE*	White Enamel Steel	CT2-LED-BT1-2L8-1R	
		Board Tray FOR CENTER ROW BOARDS 0.95" WIDE	White Enamel Steel	CT2-LED-BT1-2L8-1R-095	
		Board Tray FOR CENTER ROW BOARDS 1.60" WIDE	White Enamel Steel	CT2-LED-BT1-2L8-1R-160	

*Boards and drivers provided by others

All 1R board trays require CT-RC-WIDE and only use the "L" Driver Tray

Dual Row (2R) Board Trays

Width	Length	Description	Material	Part #	PCS/CTN
Wide	2'	Board Tray/Gear Tray FOR 2 ROWS LED or T-LEDs	White Enamel Steel	CT2-LED-BTGT-2L2-U	500
		Board Tray 2 ROWS FOR 0.95" BOARDS	White Enamel Steel	CT2-LED-BT1-2L2-2R-095	500
		Board Tray 2 ROWS FOR 1.60" BOARDS	White Enamel Steel	CT2-LED-BT1-2L2-2R-160	500
	4'	Board Tray/Gear Tray FOR 2 ROWS LED or T-LEDs	White Enamel Steel	CT2-LED-BTGT-2L4-U	500
		Board Tray 2 ROWS FOR 0.95" BOARDS	White Enamel Steel	CT2-LED-BT1-2L4-2R-095	500
		Board Tray 2 ROWS FOR 1.60" BOARDS	White Enamel Steel	CT2-LED-BT1-2L4-2R-160	500
	8'	Board Tray/Gear Tray FOR 2 ROWS LED or T-LEDs	White Enamel Steel	CT2-LED-BT1-2L8-U	200
		Board Tray 2 ROWS FOR 0.95" BOARDS	White Enamel Steel	CT2-LED-BT1-2L8-2R-095	200
		Board Tray 2 ROWS FOR 1.60" BOARDS	White Enamel Steel	CT2-LED-BT1-2L8-2R-160	200

Board Retention Clips Only Used for Certain Board Trays - Contact SLP for Information

Product offering and specifications subject to change without notice



V07122023

1400 South Old Highway 141
Fenton, MO 63026
636.600.4084
www.splighting.com

Citadel 2™ LED Enclosure - Style 1



Multi-Row Board Trays (For Single 1R or Dual 2R Boards)

Width	Length	Description	Material	Part #	PCS/CTN
Wide	2'	Board Tray FOR LINEAR ZHAGA BOARDS	White Enamel Steel	CT2-LED-BT1-2L2-LZ	
	4'	Board Tray FOR LINEAR ZHAGA BOARDS	White Enamel Steel	CT2-LED-BT1-2L4-LZ	
		Board Tray FOR 0.70" BOARDS	White Enamel Steel	CT2-LED-BT1-2L4-070	
	8'	Board Tray FOR LINEAR ZHAGA BOARDS	White Enamel Steel	CT2-LED-BT1-2L8-LZ	
		Board Tray FOR 0.70" BOARDS	White Enamel Steel	CT2-LED-BT1-2L8-070	

Mounting Brackets

Width	Description	Material	Part #	PCS/BAG	PCS/CTN	WT/CTN
Narrow	Narrow Mounting Bracket (2 per Housing)	Stainless Steel	CT2-MB-1L		250	9 lbs/4.1 kg
	Prepackaged 2 per Bag	Stainless Steel	CT2-MB-1L-2	2	250	
Wide	Wide Mounting Bracket (2 per Housing)	Stainless Steel	CT2-MB-2L		400	18 lbs/8.2 kg
	Prepackaged 2 per Bag	Stainless Steel	CT2-MB-2L-2	2	250	31 lbs/14.06 kg
	Dual Pendant Mount Bracket (2 per Housing)	Stainless Steel	CT2-MB-2L-MCH		500	
	45° Mounting Bracket (2 per Housing)	Stainless Steel	CT2-MB-2L45			
	45° Mounting Bracket Pack	Stainless Steel	CT2-MB-2L45-2	2		
	Wireguard Bracket	Stainless Steel	CT2-MB-2LWG			

Mounting Accessories

Width	Description	Material	Part #	PCS/BAG	PCS/CTN	WT/CTN
	Chain Hang: Mounting Bail (2 per Housing)	Stainless Steel	CT-BAIL	100	5,000	27 lbs/12.2 kg
Wide	2' Pendant Mount Support Tray	White Enamel	CT2-2L-PMDT			
	4' Single or Dual Pendant Mount Support Tray	White Enamel	CT2-2L4-2XDAR			

Hardware

Description	Part #	PCS/BAG	PCS/CTN	WT/CTN
Board Retention Clip	CT-LED-BRC-SM	200		
Board Retention Clip Single Row for 1L4 Only	CT-LED-BRC-SM-S	200		
2R Board Tray Retainer Clip	CT-RC	200	2,400	16 lbs/7.3 kg
1R Wide Board Tray Retainer Clip	CT-RC-WIDE	200		
Gear Tray Retainer Clip Screws (100 per Bag)	CT-SCRW	100	10,000	
Universal Gear Tray Ballast Screws	CT-SCRW-UGT	100	10,000	
½" Hub	CT-DCB-50	200		30 lbs/13.6 kg
¾" Hub	CT-DCB-75	100		20 lbs/9.07 kg
Driver Tray "L" Shape for One Driver (16.9" long)	CT-LED-DT-L	200		
Driver Tray "U" Shape for Two Drivers (14.4" long)	CT-LED-DT-U	336		
Gear Tray Safety Straps (100 per Bag)	CT-SST	100	10,000	17 lbs/7.7 kg
Lens Tether (20 per Bag)	CT-LT12	20	2,000	11 lbs/7 kg
Gasket and Shim (100 per Bag)	CT-DA5	100	1,000	
End Plugs	CT-ENDPLUG-B	200	2,000	22 lbs/10 kg
Wire Grommet	SLP-GRMT-0500	200		

Product offering and specifications subject to change without notice



V07122023

1400 South Old Highway 141
Fenton, MO 63026
636.600.4084
www.splighting.com

Diffusers & Lenses

Width	Length	Design	Material	Part # for Clear	Part # for FR50™ Frosted	PCS/CTN	Full Skid Quantity	WT/CTN
Narrow	4'	Lineal Ribbed	Polycarbonate	CT2-DP-1L4	CT2-DP-1L4-FR50	30	180	25 lbs/11.3 kg
		Lineal Ribbed	Impact Resistant Acrylic	CT2-DIRA-1L4	CT2-DIRA-1L4-FR50	30	360	25 lbs/11.3 kg
		Smooth	Polycarbonate	CT2-CP-1L4	CT2-CP-1L4-FR50	40	360	41 lbs/18.14 kg
		Smooth	Impact Resistant Acrylic	CT2-CP-1L4	CT2-CIRA-1L4-FR50	40	360	41 lbs/18.14 kg
Wide	2'	Lineal Ribbed	Polycarbonate	CT2-DP-2L2	CT2-DP-2L2-FR50	20	180	22 lbs/9.97 kg
		Lineal Ribbed	Impact Resistant Acrylic	CT2-DIRA-2L2	CT2-DP-2L2-FR50	20	180	21 lbs/9.5 kg
		Smooth	Polycarbonate	CT2-CP-2L2	CT2-CP-2L2-FR50	20	180	
		Smooth	Impact Resistant Acrylic	CT2-CIRA-2L2	CT2-CIRA-2L2-FR50	20	180	
		Deep	Impact Resistant Acrylic	CT2-LIRA-2L2	CT2-LIRA-2L2-FR50	20	180	21 lbs/9.5 kg
	4'	Lineal Ribbed	Polycarbonate	CT2-DP-2L4	CT2-DP-2L4-FR50	20	240	21 lbs/9.5 kg
		Lineal Ribbed	Impact Resistant Acrylic	CT2-DIRA-2L4	CT2-DIRA-2L4-FR50	20	240	38 lbs/17.2 kg
		Smooth	Polycarbonate	CT2-CP-2L4	CT2-CP-2L4-FR50	20	240	50 lbs/22.6 kg
		Smooth	Impact Resistant Acrylic	CT2-CIRA-2L4	CT2-CIRA-2L4-FR50	20	240	27 lbs/12.2 kg
		Deep	Impact Resistant Acrylic	CT2-LIRA-2L4	CT2-LIRA-2L4-FR50	20	240	28 lbs/12.7 kg
	8'	Lineal Ribbed	Impact Resistant Acrylic	CT2-DIRA-2L8	CT2-DIRA-2L8-FR50	10	240	48 lbs/21.7 kg
		Deep	Impact Resistant Acrylic	CT2-LIRA-2L8	CT2-LIRA-2L8-FR50	10	120	52 lbs/23.6 kg
Smooth		Polycarbonate	CT2-CP-2L8	CT2-CP-2L8-FR50	20	240	74 lbs/33.5 kg	
Smooth		Impact Resistant Acrylic	CT2-CIRA-2L8	CT2-CIRA-2L8-FR50	20	240	74 lbs/33.5 kg	

Latches

Length	Description	Material	Part #	PCS/BAG	PCS/CTN	WT/CTN
Bulk	Citadel 2 Stainless Latch	316 Stainless	CT2-LATCHSS	200	1,000	30 lbs
	White Secure Locking Plastic Latch	Acetal Copolymer	CT2-LATCHW	200	1,600	25 lbs/11.34 kg
	Clear Secure Locking Plastic Latch	Polycarbonate	CT2-LATCHCC	200	1,600	
2'	White Secure Locking Plastic Latch	Acetal Copolymer	CT2-LATCH2W	6	100	
	Clear Secure Locking Plastic Latch	Polycarbonate	CT2-LATCH2CC	6	100	
4'	Latch Bag with End Plugs	316 Stainless	CT2-LATCH4SS	8	175	37 lbs/16.9 kg
	White Secure Locking Plastic Latch Bag with End Plugs	Acetal Copolymer	CT2-LATCH4W	8	100	
	Clear Secure Locking Plastic Latch Bag with End Plugs	Polycarbonate	CT2-LATCH4CC	8	100	
8'	Latch Bag with End Plugs	316 Stainless	CT2-LATCH8SS	14	100	35 lbs/15.9 kg
	White Secure Locking Plastic Latch Bag with End Plugs	Acetal Copolymer	CT2-LATCH8W	14	150	
	Clear Secure Locking Plastic Latch Bag with End Plugs	Polycarbonate	CT2-LATCH8CC	14	80	

Product offering and specifications subject to change without notice