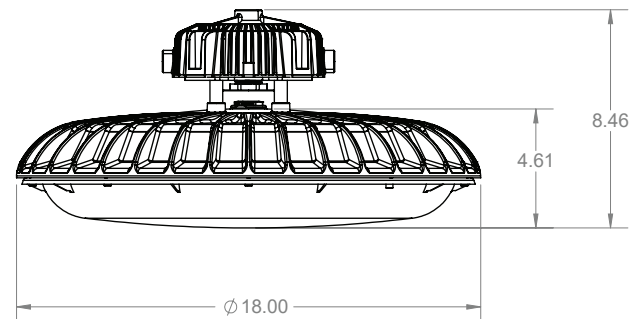
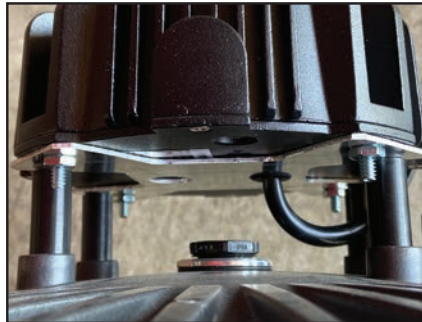


# CircLED RD

The CircLED™ Round Driver is a thermally conductive molded polymer high bay or low bay, offering a lighter weight alternative to die cast fixtures. Features an IP65 rated, round high bay driver.



## APPLICATIONS:

- Industrial
- Auditoriums
- Gymnasiums
- Warehouse
- Factory
- Exhibition Hall
- Distribution Centers

## FEATURES & BENEFITS:

- Utilizes a Round High Bay Driver
- Designed for LEDs
- Charcoal Black housing so post painting is not needed
- Lightweight Design
- Easy Installation is contractor friendly

## CERTIFICATIONS

- UL1598 LISTED
- IP65

- 18" Diameter
- V0 Drop Lens or V0 Flat Lens with Lens Ring
- For use with Round LED Module
- Accommodates Occupancy Sensor
- U.S. manufactured CircLED™

Product offering and specifications subject to change without notice.

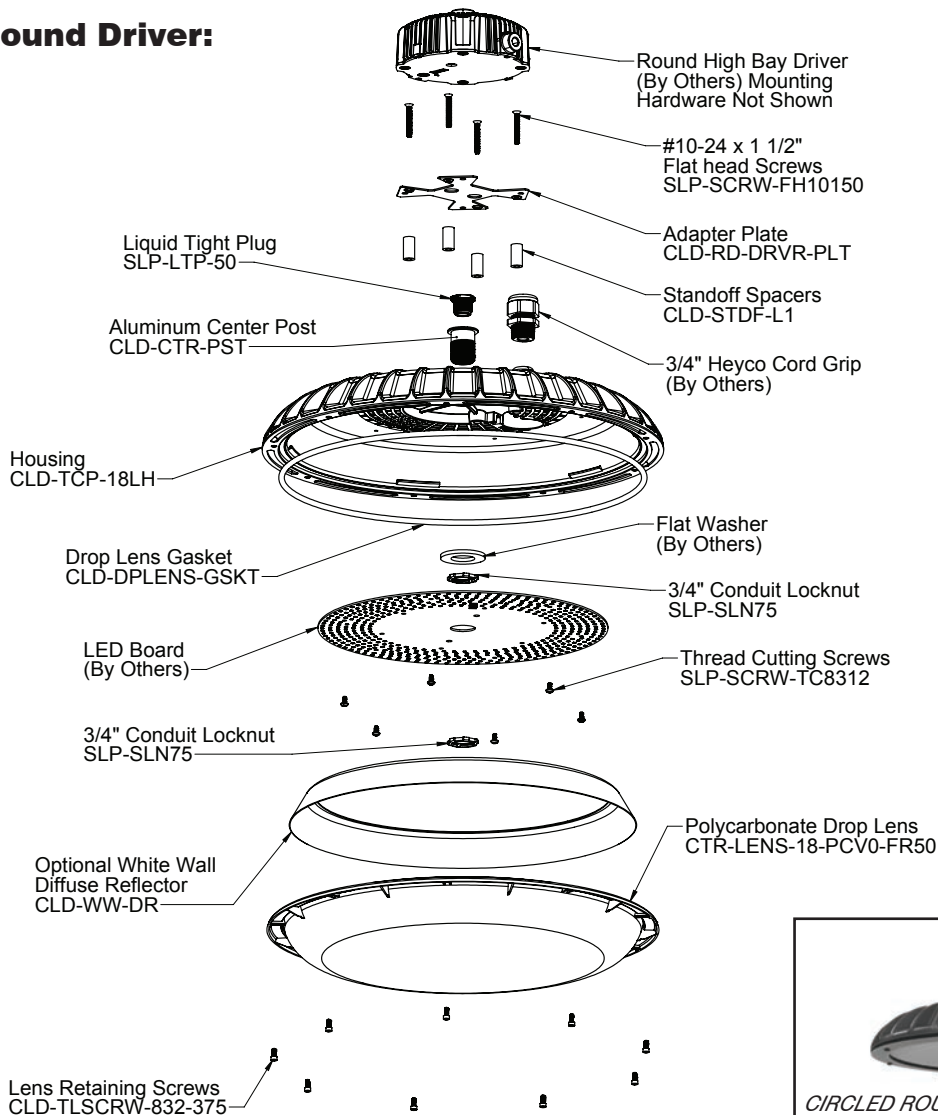


SLP LIGHTING  
www.splighting.com

V04142021

1400 S. Old Highway 141  
Fenton, MO 63026  
636-600-4084

**CircLED™ Round Driver:**



COMPONENT	STANDARD MATERIAL	PIECES REQUIRED PER ASSEMBLY	AVAILABLE OPTIONS
HOUSING	THERMALLY CONDUCTIVE PLASTIC	1	
THREADED CENTER POST	ALUMINUM	1	
LIQUID TIGHT PLUG	NYLON	1	
ADAPTER DRIVER PLATE	STEEL	1	
FLAT SCREWS		4	
STAND OFF SPACERS		4	
CONDUIT LOCKNUT		2	
THREAD CUTTING SCREWS		6	
WHITE WALL REFLECTOR		1	OPTIONAL FOR WIDER LIGHT SPREAD
LENS RETAINER SCREWS		9	
DROP LENS REQUIRED PARTS:			
DROP LENS	V0 POLYCARBONATE	1	CLEAR OR FROSTED POLYCARBONATE
DROP LENS GASKET		1	
FLAT LENS REQUIRED PARTS:			
FLAT LENS	V0 POLYCARBONATE	1	CLEAR OR FROSTED POLYCARBONATE
FLAT LENS GASKET		1	
LENS RETAINER RING		1	

Product offering and specifications subject to change without notice.

**CircLED™ Round Driver Components:**

<b>CircLED™ HOUSING EXTRUSIONS</b>					
DIAMETER	DESCRIPTION	PART #	PCS/CTN	WT/CTN	FULL SKID QTY.
18"	THERMAL CONDUCTIVE PLASTIC HOUSING	CLD-TCP-18LH	10		

<b>CircLED™ LENS &amp; ACCESSORIES</b>					
DESCRIPTION	PART #	PCS/CTN	WT/CTN	FULL SKID QTY.	
DROP LENS FROSTED V0 POLYCARBONATE	CTR-LENS-18-V0-FR50				
DROP LENS CLEAR V0 POLYCARBONATE	CTR-LENS-18-V0				
FLAT FROSTED V0 POLYCARBONATE LENS	CLD-TFK-LV3-118-16.375				
FLAT CLEAR V0 POLYCARBONATE LENS	CLD-TFK-LF-118-16.375				
FLAT LENS RETAINER RING - THERMAL CONDUCTIVE PLASTIC	CLD-LENS-RNG				
FLAT LENS RING GASKET	CLD-LENS-GSKT				
DROP LENS GASKET	CLD-DPLENS-GSKT				
WHITE WALL DIFFUSE REFLECTOR	CLD-WW-DR				
LENS RETAINER SCREW	CLD-TLSCRW-832-375				

<b>CircLED™ HARDWARE</b>					
	MATERIAL	PART #	PCS/BAG	PCS/CTN	WT/CTN
THREADED CENTER POST	ALUMINUM	CLD-CTR-PST			
LIQUID TIGHT PLUG	NYLON	SLP-LTP-50			
THREAD CUTTING SCREWS FOR LED ARRAY ATTACHMENT		SLP-SCRW-TC8312			
3/4-14 NPT CONDIT LOCKNUT		SLP-SLN75			
FLAT HEAD SCREWS		SLP-SCRW-FH10150			
DRIVER ADAPTER PLATE		CLD-RD-DRVR-PLT			
STAND OFF SPACERS		CLD-STDF-L1			

Product offering and specifications subject to change without notice.



SLP LIGHTING  
www.splighting.com

V04142021

1400 S. Old Highway 141  
Fenton, MO 63026  
636-600-4084