



# Citadel Update

PROVIDING QUALITY LIGHTING COMPONENTS AND SOLUTIONS SINCE 1969

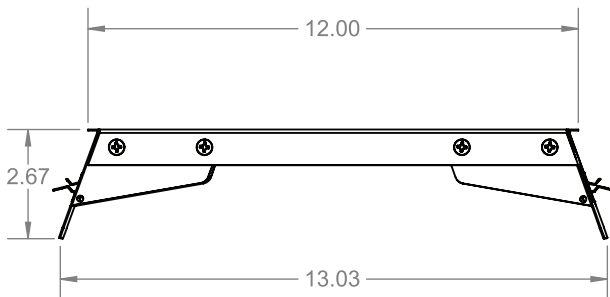
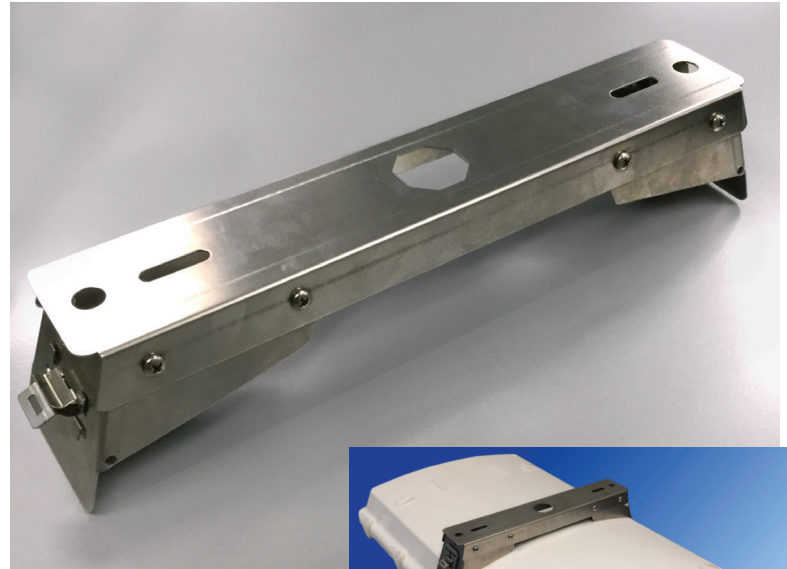


## SLP Mounting Beam:

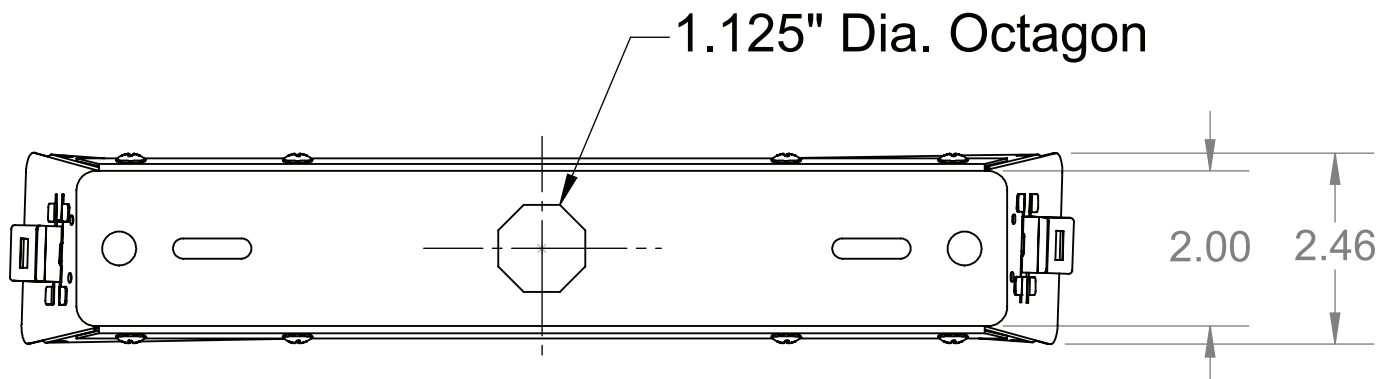
*Rigid Mounting Beam for Citadel 4S*

### ○ CT4S-MBEAM-SS-OCT

The Rigid Mounting Beam is now available to be used for Center Pendant Mount on the Citadel 4S using a CT-DCB-75



### ○ CT-DCB-75



UL Recognized Mounting Component Under E319249