

SLP is an international organization that has achieved the fine balance of craftsmanship and state of the art technology that fosters the ability to produce innovative new products that meet the demanding needs of the world market. HI-CELL™ brings to market the benefits valued by manufacturers, the efficiency demanded by an energy hungry world and the luminance control that is required for a healthy visual environment.



Hi-Cell™ T5 Optics

High Performance optical system for T5 lamps



UP TO 80% LIGHT OUTPUT RATIO
SUITABLE FOR:

- DIRECT
- DIRECT/INDIRECT
- SURFACE MOUNT
- PENDANT
- CABLE

ORDERING INFORMATION

| | Finish | 2'/600mm | 4'/1200 |
|----------------------|-------------------|----------------|-----------------|
| Acrylic | Specular Permalux | HCT5-A-600-P | HCT5-A-1200-P |
| | Aluma-Lux | HCT5-A-600-AL | HCT5-A-1200-AL |
| | White | HCT5-A-600-W | HCT5-A-1200-W |
| Polycarbonate | Specular Permalux | HCT5-PC-600-P | HCT5-PC-1200-P |
| | Aluma-Lux | HCT5-PC-600-AL | HCT5-PC-1200-AL |

1400 S. Old Hwy 141 Fenton, MO 63026 USA Phone: 800.248.0224 or 636.600.4084

Fax: 636.600.4108 sales@slplighting.com www.slplighting.com

1400 S. Old Hwy 141 Fenton, MO 63026 USA

www.slplighting.com



Hi-Cell™ T5 Optics

- High Performance Optical System for T5 Lamps
- Unlimited Design and Application Possibilities
- T5 Optics
- 80% LOR
- Reduced Product Development Time
- Reduced Tooling Investment
- Reduced Inventory Investment
- Reduced Scrap Expense
- Bring Product to Market Faster
- Increase Sales Opportunities
- Out of the Box Solutions For New Products
- No Assembly Required



2 and 4 foot lengths

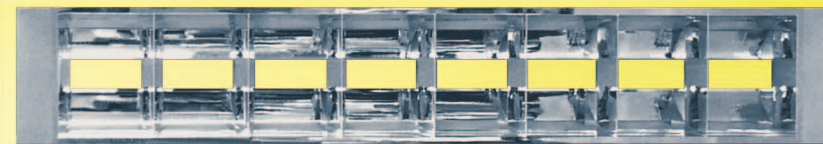
600 and 1200 mm lengths



Aluma-Lux™ Finish:
“Look of Aluminum at the Plastic Price!”



Gloss White Finish: Crisp, clean look that won't show fingerprints.

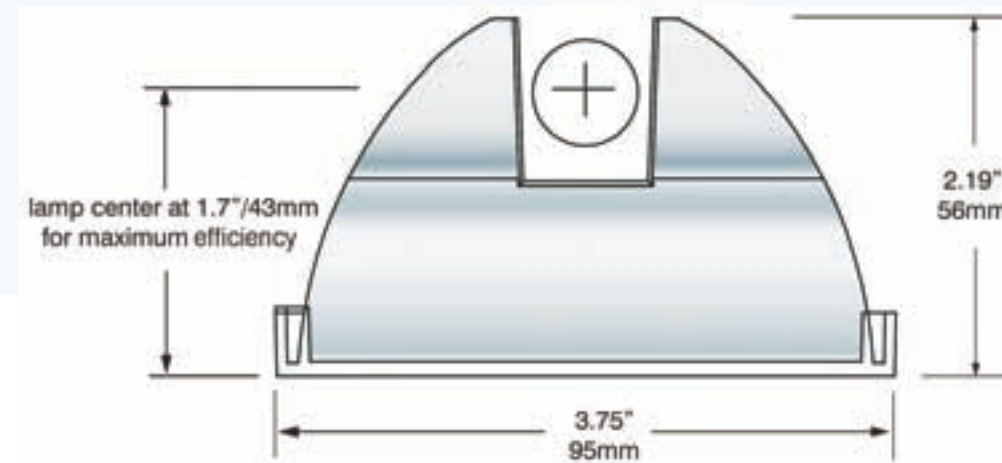
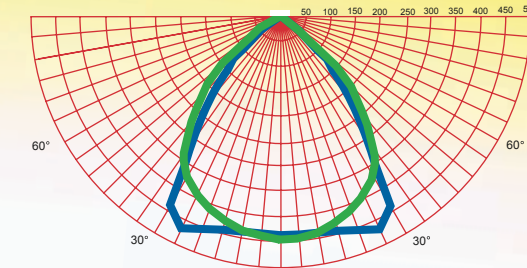


Permulux™ Finish: A highly reflective finish can be wiped clean to provide years of efficient service.

Performance:

Up to 80% LOR
Specular Permalux

- Transverse
- Axial



Order Parts Cut to Length:

| Normal | Maximum Length | Minimum Length |
|--------------|------------------|------------------|
| 600mm 2' | 608mm 23.92" | 545mm 21.46" |
| 1200mm 4' | 1215mm 47.84" | 1153mm 45.37" |



42 Partners:
International design collaboration with the 42 Partners Ltd (UK)

Excellence in manufacturing

Serving the lighting industry worldwide