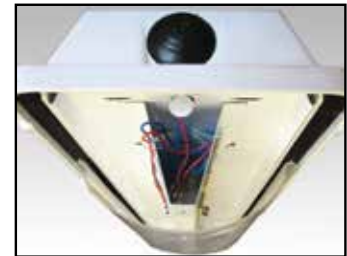
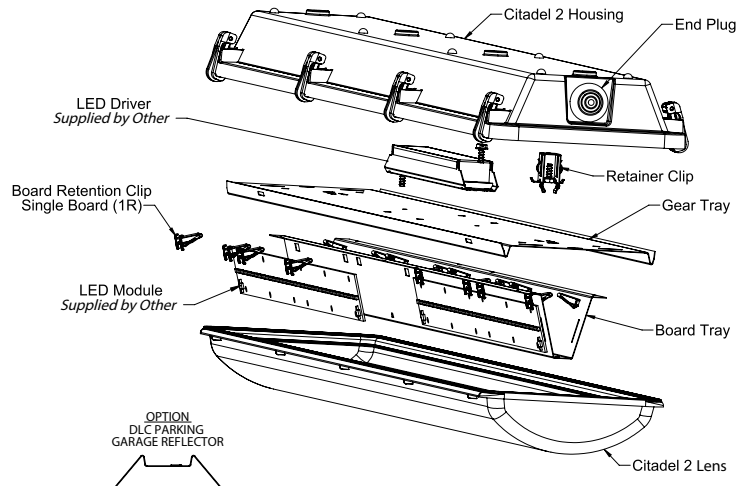


CITADEL 2™ LED ENCLOSURE

OEM COMPONENTS:

Citadel 2 Enclosure for LED: STYLE 3

The Citadel 2 LED Style 3 is a sleek version enclosure for wide distribution. With a sheet metal boardtray that snaps to a traditional geartray for a light weight system that's an affordable option for wide distribution and parking garage applications.



APPLICATIONS:

Low Bay Wide Distribution

- Parking Garages

CERTIFICATIONS

- UL Wet Location
- NSF International
- IP65, IP66, IP67
- Nema 4X
- RoHS
- Patent Pending
- SLP Guardian Seal
- DLC QPL

ASSEMBLY GUIDE:

COMPONENT	PIECES REQUIRED PER ASSEMBLY		MATERIAL WITH AVAILABLE OPTIONS
	2'	4'	
HOUSING	1	1	UL RATED: 5VA(f1) FRP HOUSING FOR SINGLE OR DUAL PENDANT MOUNTING
DIFFUSER	1	1	IMPACT MODIFIED ACRYLIC, POLYCARBONATE LINEAL RIBBED (DIRA/DP), SMOOTH SHALLOW (CIRA/CP) OR SMOOTH DEEP LENS (LIRA ACRYLIC ONLY) AVAILABLE IN CLEAR OR FR50 FROSTED
GEARTRAY	1	1	SHEET METAL
BOARDTRAY	1	1	SHEET METAL
RETAINER CLIP	2	2	316 STAINLESS STEEL
RETAINER CLIP SCREW	2	2	STEEL ZINC PLATED
BOARD RETENTION CLIPS (SINGLE)	8	16	SPRING STEEL
UNIVERSAL GEARTRAY SCREW: CT-SCRW-UGT	2 PER DRIVER		
GEARTRAY SAFETY STRAP	2	2	NYLON
LATCHES	1 BAG	1 BAG	316 STAINLESS STEEL LATCHES CLEAR POLYCARBONATE WHITE SECURE LOCKING PLASTIC (POM)
ENDPLUG	1	1	INCLUDED IN LATCH BAG
MOUNTING BRACKET	2	2	DRILLED FOR PENDANT OPTIONAL BAIL ACCESSORY 45 DEGREE MOUNTING BRACKET

Product offering and specifications subject to change without notice.



CITADEL 2™ LED ENCLOSURE

CITADEL 2 LED COMPONENTS: STYLE 3

CITADEL 2™ HOUSINGS								
WIDTH	LENGTH	MATERIAL	PART #	PCS/CTN	FULL SKID QTY.	WT/CTN		
WIDE	2'	5VA-F1 FIBERGLASS (UL)	CT2-HV5-2L2	20	240	75LBS/34KG		
		5VA-F1 FIBERGLASS (UL) SINGLE PENDANT	CT2-HV5-2L2-CH1.25	20	240	75LBS/34KG		
	4'	5VA-F1 FIBERGLASS (UL)	CT2-HV5-2L4	20	240	57LBS/25,9KG		
		5VA-F1 FIBERGLASS (UL) SINGLE PENDANT	CT2-HV5-2L4-CH1.25	20	240	57LBS/25,9KG		
		5VA-F1 FIBERGLASS (UL) DUAL PENDANT	CT2-HV5-2L4-2H.875	20	240	57LBS/25,9KG		
CITADEL 2™ GEARTRAYS								
WIDTH	LENGTH	DESIGN	MATERIAL	PART #	PCS/CTN	WT/CTN		
WIDE	2'	LED SM GEAR TRAY STY3 MED DIST	SHEET METAL	CT2-LED-GT3-22-M				
	4'			CT2-LED-GT3-24-M				
CITADEL 2™ BOARDTRAYS								
WIDTH	LENGTH	DESIGN	MATERIAL	PART #	PCS/CTN	WT/CTN		
WIDE	2'	LED SM BOARDTRAY STY3 MED DIST 1.60" BOARDS	SHEET METAL	CT2-LED-BT3-22-M-160				
	4'			CT2-LED-BT3-24-M-160				
CITADEL 2™ MOUNTING BRACKETS								
WIDTH	LENGTH	DESIGN	MATERIAL	PART #	PCS/BAG	PCS/CTN	WT/CTN	
WIDE		WIDE MOUNTING BRACKET (2 PER HOUSING)	STAINLESS STEEL	CT2-MB-2L		400	18KLBS/8,2KG	
		PRE PACKAGED 2 PER BAG	STAINLESS STEEL	CT2-MB-2L-2	2	250	31LBS/14.06KG	
		DUAL PENDANT MOUNT BRACKET (2 PER HOUSING)	STAINLESS STEEL	CT2-MB-2L-MCH		500		
		45 DEGREE MOUNTING BRACKET (2 PER HOUSING)	STAINLESS STEEL	CT2-MB-2L45				
		45 DEGREE MOUNTING BRACKET PACK	STAINLESS STEEL	CT2-MB-2L45-2	2			
MOUNTING ACCESSORIES								
WIDTH	LENGTH	DESIGN	MATERIAL	PART #	PCS/BAG	PCS/CTN	WT/CTN	
WIDE		CHAIN HANG: MOUNTING BAIL (2 PER HOUSING)	STAINLESS STEEL	CT-BAIL	100		27LBS/12,2KG	
		2' PENDANT MOUNT SUPPORT TRAY	WHITE ENAMEL	CT2-2L-PMDT				
		4' SINGLE OR DUAL PENDANT MOUNT SUPPORT TRAY	WHITE ENAMEL	CT2--2L4-2XDAR				
CITADEL 2™ HARDWARE								
WIDTH	LENGTH	DESIGN	MATERIAL	PART #	PCS/BAG	PCS/CTN	WT/CTN	
		BOARD RETENTION CLIP SINGLE		CT-LED-BRC-SM-S	200			
		2R BOARDTRAY RETAINER CLIP		CT-RC	200	2400	16LBS/7,3KG	
		GEARTRAY RETAINER CLIP SCREWS (100 PER BAG)		CT-SCRW	100	10,000	52LBS/23,6KG	
		UNIVERSAL GEARTRAY BALLAST SCREWS		CT-SCRW-UGT	100	10,000		
		1/2" HUB		CT-DCB-50	200		30LBS/13.6KG	
		3/4" HUB		CT-DCB-75	100		20LBS/9.07KG	
		DRIVER TRAY "L" SHAPE FOR ONE DRIVER (16.9" long)		CT-LED-DT-L	200			
		DRIVER TRAY "U" SHAPE FOR TWO DRIVERS (14.4" long)		CT-LED-DT-U	336			
		GEARTRAY SAFETY STRAPS (100 PER BAG)		CT-SST	100	10,000	17LBS/7,7KG	
		LENS TETHER (20 PER BAG)		CT-LT12	20	2000	11LBS/7KG	
		GASKET AND SHIM (100 PER BAG)		CT-DA5	100	1000		
		ENDPLUGS		CT-ENDPLUG-B	200	2000	22LBS/10KG	
		WIRE GROMMET		CT-GRMT-0500	200			
CITADEL 2 DIFFUSERS & LENSES:								
WIDTH	LENGTH	DESIGN	MATERIAL	PART # FOR CLEAR	PART # FOR FR50™ FROSTED	PCS/CTN	FULL SKID QTY	WT/CTN
WIDE	2'	LINEAL RIBBED	POLYCARBONATE	CT2-DP-2L2	CT2-DP-2L2-FR50	20	180	22LBS/9,97KG
		LINEAL RIBBED	IMPACT RESISTANT ACRYLIC	CT2-DIRA-2L2	CT2-DIRA-2L2-FR50	20	180	21LBS/9,5KG
		DEEP	IMPACT RESISTANT ACRYLIC	CT2-LIRA-2L2	CT2-LIRA-2L2-FR50	20	180	21LBS/9,5KG
	4'	LINEAL RIBBED	POLYCARBONATE	CT2-DP-2L4	CT2-DP-2L4-FR50	20	240	21LBS/9,5KG
		LINEAL RIBBED	IMPACT RESISTANT ACRYLIC	CT2-DIRA-2L4	CT2-DIRA-2L4-FR50	20	240	38LBS/17,2KG
		SMOOTH	POLYCARBONATE	CT2-CP-2L4	CT2-CP-2L4-FR50	20	240	50LBS/22,6KG
		SMOOTH	IMPACT RESISTANT ACRYLIC	CT2-CIRA-2L4	CT2-CIRA-2L4-FR50	20	240	27LBS/12,2KG
		DEEP	IMPACT RESISTANT ACRYLIC	CT2-LIRA-2L4	CT2-LIRA-2L4-FR50	20	240	28LBS/12,7KG

Product offering and specifications subject to change without notice.



CITADEL 2™ LED ENCLOSURE

CITADEL 2 LED COMPONENTS: STYLE 3

CITADEL 2™ LATCHES						
LENGTH	DESIGN	MATERIAL	PART #	PCS/BAG	PCS/CTN	WT/CTN
BULK	CITADEL 2 STAINLESS LATCH	316 STAINLESS	CT2-LATCHSS	200	2000	62LBS
	WHITE SECURE LOCKING PLASTIC LATCH	ACETAL COPOLYMER	CT2-LATCHW	200	1600	25LBS/11.34KG
	CLEAR SECURE LOCKING PLASTIC LATCH	POLYCARBONATE	CT2-LATCHCC	200	1600	
2'	WHITE SECURE LOCKING PLASTIC LATCH	ACETAL COPOLYMER	CT2-LATCH2W	6	100	
	CLEAR SECURE LOCKING PLASTIC LATCH	POLYCARBONATE	CT2-LATCH2CC	6	100	
4'	LATCH BAG WITH ENDPLUGS	316 STAINLESS	CT2-LATCH4SS	8	175	37LBS/16,9KG
	WHITE SECURE LOCKING PLASTIC LATCH BAG WITH ENDPLUGS	ACETAL COPOLYMER	CT2-LATCH4W	8	100	
	CLEAR SECURE LOCKING PLASTIC LATCH BAG WITH ENDPLUGS	POLYCARBONATE	CT2-LATCH4CC	8	100	

CITADEL 2™ REFLECTORS					
LENGTH	DESIGN	MATERIAL	PART #	PCS/CTN	
2'	CT2 LED DLC WIDE DISTRIBUTION REFLECTOR 2'	SPECULAR ALUMINUM	CT2-LED-RF-2L2-M		
4'	CT2 LED DLC WIDE DISTRIBUTION REFLECTOR 4'	SPECULAR ALUMINUM	CT2-LED-RF-2L4-M		

Product offering and specifications subject to change without notice.

